

- UL 555 & CAN/ULC-S112 Classified Static Fire Damper, 1½ Hr. Label (File # R25565).
- NFPA 80, 90A & 101 compliant.
- NBC and IBC building codes compliant.



STANDARD CONSTRUCTION

DEPTH: 4¼" (108).

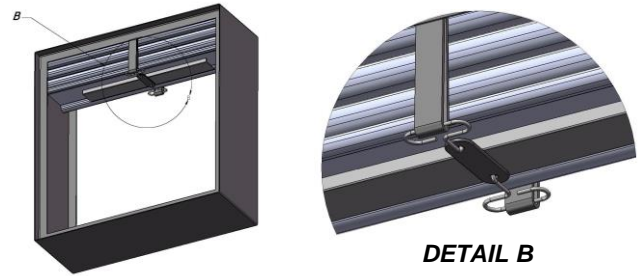
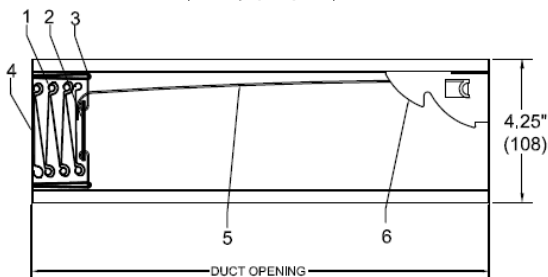
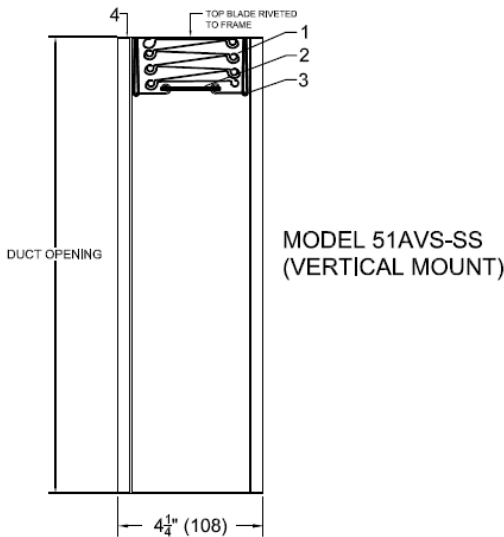
FRAME: Roll formed Type 304 Stainless Steel with hemmed edge.

BLADES: Roll formed Type 304 Stainless Steel. Interlocking curtain type.

FUSIBLE LINK: 165°F (74 C).

OPTIONAL CONSTRUCTION

- Type 316 Stainless Steel Construction.
- Factory Supplied Sleeve – 22, 20, 18 or 16 Ga. *Sleeve length required.
- 212°F (100 C) Fusible Link.
- 1½" x 1½" Retaining Angles.



MAINTENANCE RECOMMENDATIONS:

NFPA 80 advises that fire dampers be inspected and tested 1 year after installation, then every 4 years minimum (6 years for hospitals). More frequent inspections may be required due to system use and air conditions, or applicable local codes.

NOTES:

Dampers are furnished approximately ¼" (6) smaller than the given duct dimensions.

These static dampers are UL//ULC approved for use in HVAC systems where the fans automatically shut down in the event of a fire alarm.

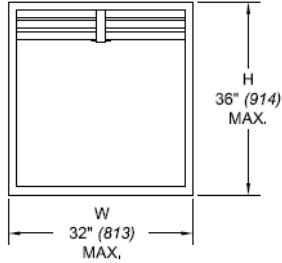
1½ hr. labeled fire dampers are suitable for use in fire separations with a fire resistance rating of 2 hours or less.

Fire dampers must be installed in accordance with manufacturer's instructions. Refer to Alumavent installation instructions for details.

FIRE DAMPER COMPONENTS	
1. S.S. Blades	5. S.S. Constant Force Spring
2. Fusible Link Assembly	6. S.S. Lock Ramp
3. S.S. Link Strap	
4. S.S. Frame	

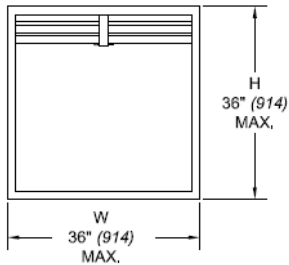
SINGLE SECTION DAMPER
 -VERTICAL MOUNT

MINIMUM SIZE:
 VERTICAL MOUNT:
 4" x 4" (102 x 102)

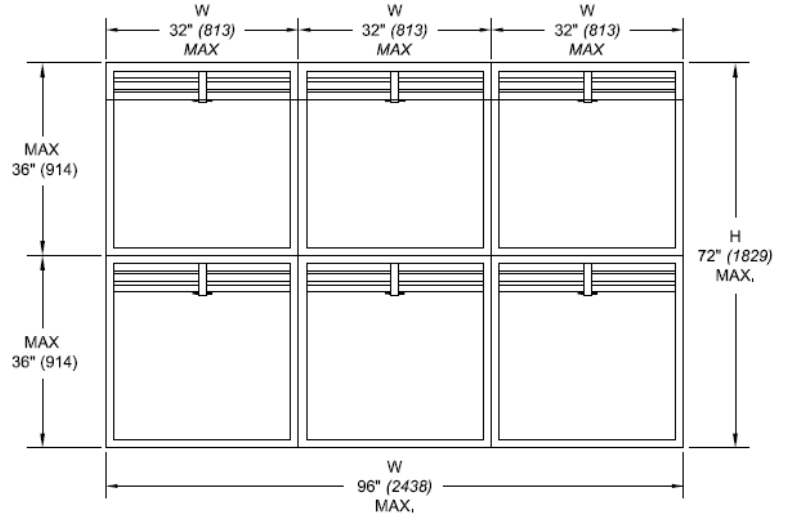


SINGLE SECTION DAMPER
 -HORIZONTAL MOUNT

MINIMUM SIZE:
 HORIZ. MOUNT:
 4" x 6" (102 x 152)



MULTIPLE SECTION DAMPER
 -VERTICAL MOUNT ONLY



REF. #	QTY.	DUCT WIDTH (W)	DUCT HEIGHT (H)	MOUNT (V/H)	ACCESSORIES

*DAMPER WILL BE MANUFACTURED APPROXIMATELY ¼" (6) SMALLER THAN GIVEN DUCT DIMENSIONS.

PROJECT NAME:	<input type="text"/>	ENGINEER:	<input type="text"/>
CONTRACTOR:	<input type="text"/>	SUBMITTAL DATE:	<input type="text"/>