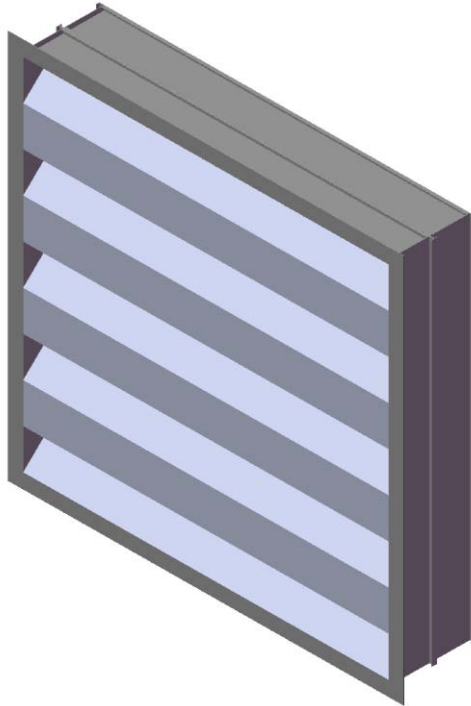




LOUVERS & BACK DRAFT DAMPERS

ACL1200V / ACL1205V

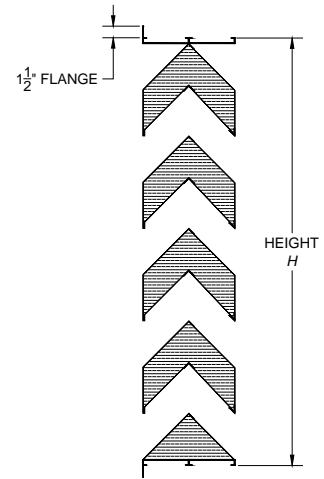
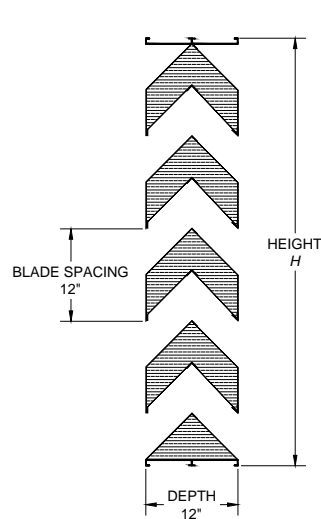
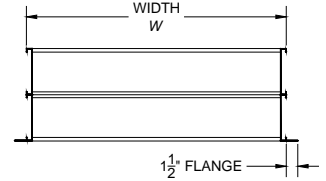
12" DEEP ACOUSTIC LOUVER • CHEVRON BLADES



MODEL: ACL1200V
FRAME: CHANNEL FRAME
DUCT-MOUNT (DM)



MODEL: ACL1205V
FRAME: FLANGE FRAME
FLANGE-MOUNT (FM)



PERFORMANCE			
LOUVER UNIT SIZE	TOTAL AREA	FREE AREA	FREE AREA
48" x 48"	16 ft ²	5.41 ft ²	33.8%
(1219 x 1219 mm)	(1.49 m ²)	(0.50 m ²)	
BEGINNING POINT OF WATER PENETRATION AT 0.01 oz./ft ² FREE AREA:			925 FPM

STANDARD CONSTRUCTION	
DEPTH:	12" (305 mm)
MATERIAL:	ALUMINUM
FRAME:	0.125" (3.18 mm) FORMED ALUMINUM
BLADE EXTERIOR:	0.063" (1.60 mm) FORMED ALUMINUM
BLADE INTERIOR:	0.032" (0.81 mm) PERFORATED ALUMINUM, 3/32" Ø HOLES
INSULATION:	MINERAL WOOL
BLADE ANGLE:	45°
BLADE CENTRES:	12" (305 mm)
BIRDSCREEN:	19 GA. GALVANIZED BIRDSCREEN, 1/2" x 1/2" OPENINGS
FINISH:	MILL

SIZE LIMITATIONS: SINGLE SECTION LOUVER		
	MINIMUM	MAXIMUM
WIDTH	12" (305 mm)	60" (1524 mm)
HEIGHT	24" (610 mm)	72" (1829 mm)
AREA	2 ft ² (0.19 m ²)	30 ft ² (2.79 m ²)

*LOUVER WILL BE MANUFACTURED 1/4" (6 mm) SMALLER (SINGLE SECTION) AND 1/2" (13 mm) SMALLER (MULTIPLE SECTION) THAN GIVEN OPENING DIMENSIONS UNLESS OTHERWISE SPECIFIED

OPTIONS / ACCESSORIES	
FINISH: <ul style="list-style-type: none"> POWDER COAT FINISH DURANAR FINISH ANODIZED FINISH <ul style="list-style-type: none"> CLEAR ANODIZED LIGHT BRONZE MEDIUM BRONZE DARK BRONZE BLACK ANODIZED 	SCREENS: <ul style="list-style-type: none"> BIRDSCREEN <ul style="list-style-type: none"> 1/2" x 1/2" INTER CRIMPED ALUMINUM ALUMINUM BIRDSCREEN WITH FRAME INSECT SCREEN <ul style="list-style-type: none"> ALUMINUM, 18 x 14 MESH
OTHER: <ul style="list-style-type: none"> EXTENDED SILLS SECURITY BARS FILTER RACKS STAINLESS STEEL FASTENERS HINGED ACCESS DOORS 	BLANK-OFF PANELS (ALUMINUM): VARIOUS GAUGES <ul style="list-style-type: none"> NON-INSULATED BLANK-OFF PANELS INSULATED BLANK-OFF PANELS <ul style="list-style-type: none"> 1" (25 mm) INSULATION 2" (51 mm) INSULATION

SOUND PERFORMANCE		
OCTAVE BAND / FREQUENCY	TRANSMISSION LOSS (dB)	FREE FIELD NOISE REDUCTION (dB)
1 / 63	7	13
2 / 125	7	13
3 / 250	10	16
4 / 500	13	19
5 / 1000	20	26
6 / 2000	21	27
7 / 4000	19	25
8 / 8000	19	25

THIS TEST WAS CONDUCTED IN ACCORDANCE WITH ASTM STANDARD E90-04, "STANDARD TEST METHOD FOR LABORATORY MEASUREMENT OF AIRBORNE SOUND TRANSMISSION LOSS OF BUILDING PARTITIONS AND ELEMENTS".



LOUVERS & BACK DRAFT DAMPERS

ACL1200V / ACL1205V
12" DEEP ACOUSTIC LOUVER • CHEVRON BLADES

FREE AREA (Sq. Ft.)

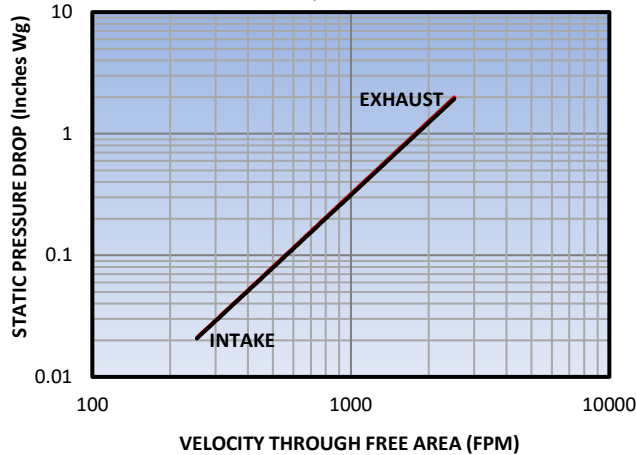
		WIDTH (INCHES)												
		12	16	20	24	28	32	36	40	44	48	52	56	60
HEIGHT (INCHES)	24	0.61	0.84	1.08	1.31	1.54	1.77	2.01	2.24	2.47	2.71	2.94	3.17	3.40
	28	0.61	0.84	1.08	1.31	1.54	1.77	2.01	2.24	2.47	2.71	2.94	3.17	3.40
	32	0.61	0.84	1.08	1.31	1.54	1.77	2.01	2.24	2.47	2.71	2.94	3.17	3.40
	36	0.92	1.27	1.61	1.96	2.31	2.66	3.01	3.36	3.71	4.06	4.41	4.76	5.11
	40	0.92	1.27	1.61	1.96	2.31	2.66	3.01	3.36	3.71	4.06	4.41	4.76	5.11
	44	0.92	1.27	1.61	1.96	2.31	2.66	3.01	3.36	3.71	4.06	4.41	4.76	5.11
	48	1.22	1.69	2.15	2.62	3.08	3.55	4.02	4.48	4.95	5.41	5.88	6.34	6.81
	52	1.22	1.69	2.15	2.62	3.08	3.55	4.02	4.48	4.95	5.41	5.88	6.34	6.81
	56	1.22	1.69	2.15	2.62	3.08	3.55	4.02	4.48	4.95	5.41	5.88	6.34	6.81
	60	1.53	2.11	2.69	3.27	3.86	4.44	5.02	5.60	6.18	6.77	7.35	7.93	8.51
	64	1.53	2.11	2.69	3.27	3.86	4.44	5.02	5.60	6.18	6.77	7.35	7.93	8.51
	68	1.53	2.11	2.69	3.27	3.86	4.44	5.02	5.60	6.18	6.77	7.35	7.93	8.51
72	1.83	2.53	3.23	3.93	4.63	5.32	6.02	6.72	7.42	8.12	8.82	9.51	10.21	

FREE AREA (%)

		WIDTH (INCHES)												
		12	16	20	24	28	32	36	40	44	48	52	56	60
HEIGHT (INCHES)	24	30.6%	31.6%	32.3%	32.7%	33.0%	33.3%	33.5%	33.6%	33.7%	33.8%	33.9%	34.0%	34.0%
	28	26.2%	27.1%	27.7%	28.1%	28.3%	28.5%	28.7%	28.8%	28.9%	29.0%	29.1%	29.1%	29.2%
	32	22.9%	23.7%	24.2%	24.6%	24.8%	25.0%	25.1%	25.2%	25.3%	25.4%	25.4%	25.5%	25.5%
	36	30.6%	31.6%	32.3%	32.7%	33.0%	33.3%	33.5%	33.6%	33.7%	33.8%	33.9%	34.0%	34.0%
	40	27.5%	28.5%	29.1%	29.5%	29.7%	30.0%	30.1%	30.2%	30.4%	30.4%	30.5%	30.6%	30.6%
	44	25.0%	25.9%	26.4%	26.8%	27.0%	27.2%	27.4%	27.5%	27.6%	27.7%	27.7%	27.8%	27.9%
	48	30.6%	31.6%	32.3%	32.7%	33.0%	33.3%	33.5%	33.6%	33.7%	33.8%	33.9%	34.0%	34.0%
	52	28.2%	29.2%	29.8%	30.2%	30.5%	30.7%	30.9%	31.0%	31.1%	31.2%	31.3%	31.4%	31.4%
	56	26.2%	27.1%	27.7%	28.1%	28.3%	28.5%	28.7%	28.8%	28.9%	29.0%	29.1%	29.1%	29.2%
	60	30.6%	31.6%	32.3%	32.7%	33.0%	33.3%	33.5%	33.6%	33.7%	33.8%	33.9%	34.0%	34.0%
	64	28.6%	29.7%	30.3%	30.7%	31.0%	31.2%	31.4%	31.5%	31.6%	31.7%	31.8%	31.9%	31.9%
	68	27.0%	27.9%	28.5%	28.9%	29.2%	29.4%	29.5%	29.7%	29.8%	29.8%	29.9%	30.0%	30.0%
72	30.6%	31.6%	32.3%	32.7%	33.0%	33.3%	33.5%	33.6%	33.7%	33.8%	33.9%	34.0%	34.0%	

PRESSURE DROP - ACL1200V / ACL1205V

FIGURE 5.5, TEST SIZE 48" x 48"



*TEST RESULTS DO NOT INCLUDE THE EFFECTS OF BIRDSCREEN

RECOMMENDED SPECIFICATION

Furnish and install stationary louver models ACL1200V / ACL1205V as manufactured by Ventex Inc, Alliston, Ontario. Louvers shall be 12" (305 mm) deep. Blades shall be 0.063" (1.60 mm) formed aluminum and frame shall be 0.125" (3.18 mm) formed aluminum. Louvers shall have 19 gauge galvanized 1/2" x 1/2" birdscreen. All materials shall be factory finished after assembly with Polyester Powder Coat in a colour selected from the Ventex Colour Chart.