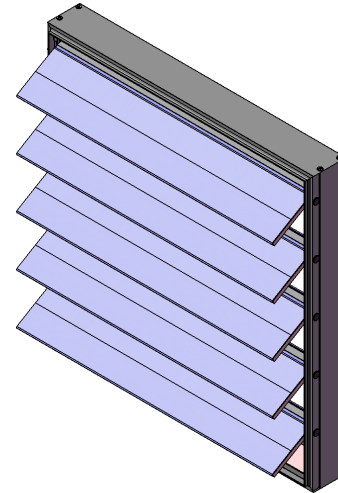
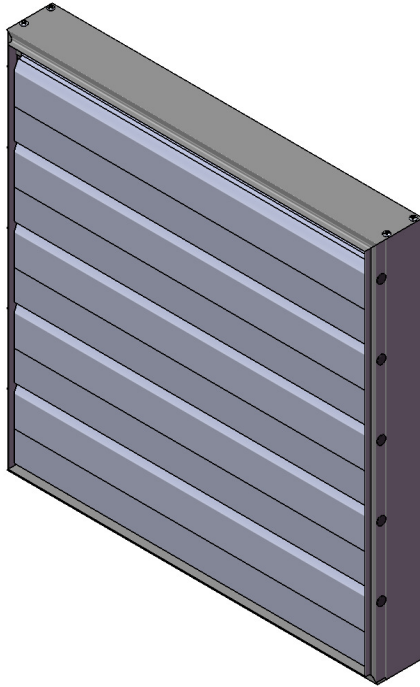


The Ventex **1900 Series** (formerly BDD-I) is a superior concept in backdraft dampers. This unique, all aluminum product eliminates the shortcomings of previous designs on the market. Pivot pins that quickly wear out or rust, or rivets that shake loose and pull through the blade are no longer a problem. The insulated extruded blades are cleverly engineered to combine strength and durability with smooth operation by virtue of their aerodynamic design.



*1900 MODEL SHOWN

STANDARD CONSTRUCTION	
MATERIAL:	EXTRUDED ALUMINUM - 6063-T5 ALLOY
FRAME STYLE:	1900 DUCT MOUNT FRAME 1905 FLANGE FRAME (1 1/2" FLANGE) 1907 FRONT FLANGE FRAME (1 1/2" FLANGE)
DEPTH (BLADES CLOSED):	2.75" (70 mm)
DEPTH (BLADES OPEN):	5.625" (143 mm)
FRAME THICKNESS:	0.062" (1.57 mm)
BLADE THICKNESS:	0.062" (1.57 mm)
BLADE CENTRES:	3.75" (95 mm)
SEALS:	VINYL BLADE SEAL
OPERATION METHOD:	GRAVITY
FINISH:	MILL FINISH (ONLY)
INSULATION:	1/4" STYROFOAM INSULATION MECHANICALLY FASTENED TO BLADES AND FRAME

SIZE LIMITATIONS		
	MINIMUM	MAXIMUM
WIDTH	8" (203 mm)	60" (1524 mm)
HEIGHT	8" (203 mm)	60" (1524 mm)
AREA	0.44 ft ² (0.04 m ²)	25 ft ² (2.32 m ²)

*1900 AND 1907 DAMPERS WILL BE MANUFACTURED 1/4" (6.4 mm) SMALLER THAN GIVEN OPENING DIMENSIONS UNLESS OTHERWISE SPECIFIED
 *1905 DAMPERS WILL BE MANUFACTURED TO THE EXACT SIZE OF GIVEN OPENING DIMENSIONS UNLESS OTHERWISE SPECIFIED

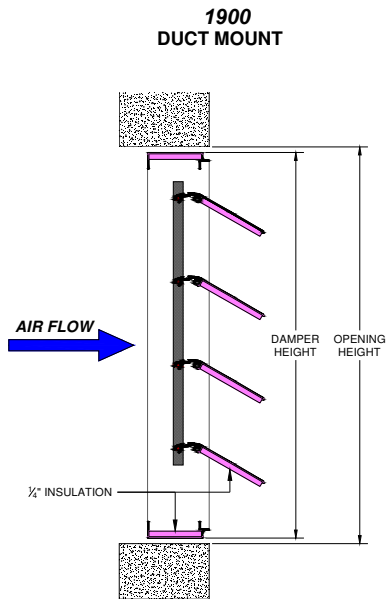
AVAILABLE ACCESSORIES	
SCREENS: <ul style="list-style-type: none"> BIRDSCREEN <ul style="list-style-type: none"> 1/2" x 1/2" 19 GA. GALVANIZED 1/2" x 1/2" INTER CRIMPED ALUMINUM INSECT SCREEN - 18 x 14 MESH 	OTHER: <ul style="list-style-type: none"> COUNTER BALANCING WITHOUT SPRINGS CONDUIT HOLE MANUAL LOCKING DEVICE TO KEEP BLADES OPEN MANUAL OPERATION COMPLETE WITH 6 FT. OF CHAIN

TAG	QTY.	OPENING WIDTH	OPENING HEIGHT	FRAME STYLE	ACCESSORIES

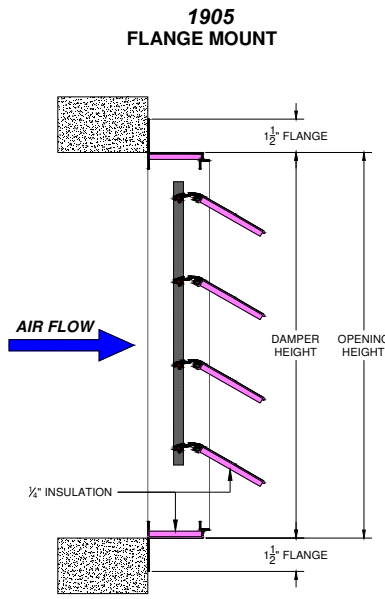
UNITS: INCHES

PROJECT NAME:		ENGINEER:	
CONTRACTOR:		SUBMITTAL DATE:	

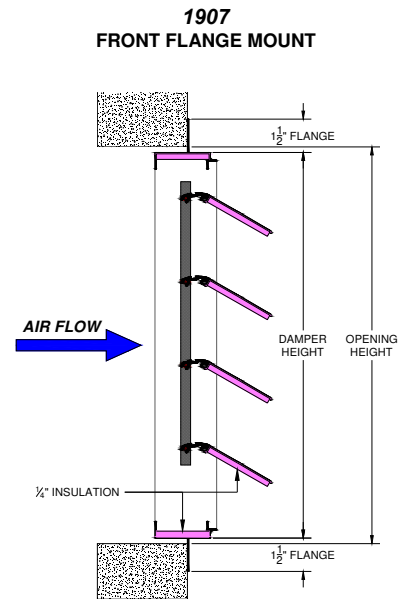
FRAME STYLE



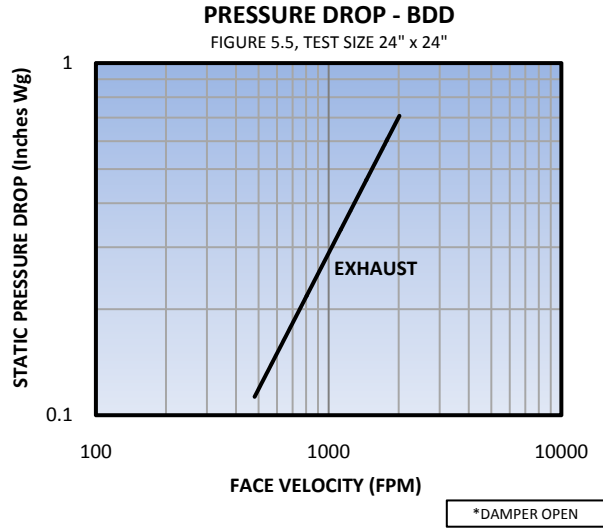
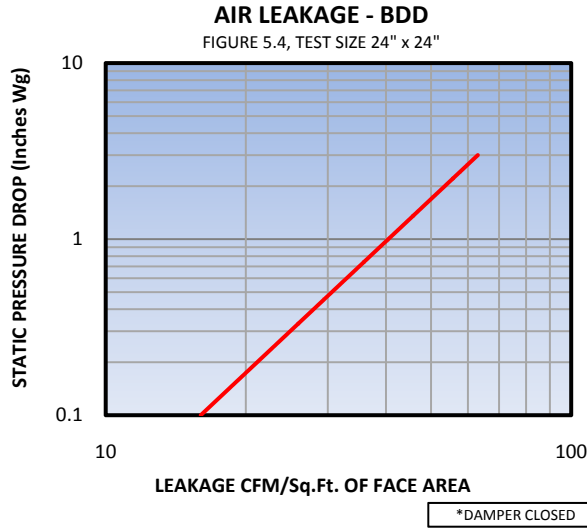
*DM DAMPER SIZE = OPENING SIZE - 1/4"



*FM DAMPER SIZE = OPENING SIZE



*FFM DAMPER SIZE = OPENING SIZE - 1/4"

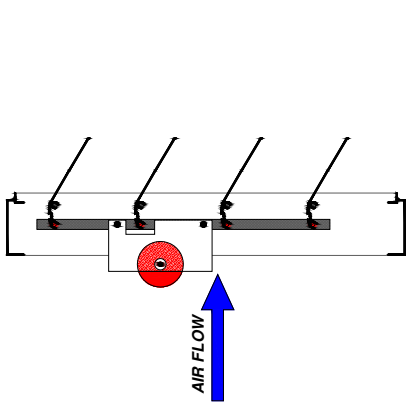


*AIR LEAKAGE IS BASED UPON OPERATION BETWEEN 50°F (10°C) – 104°F (40°C)
*TEST RESULTS DO NOT INCLUDE THE EFFECTS OF BIRDSCREEN

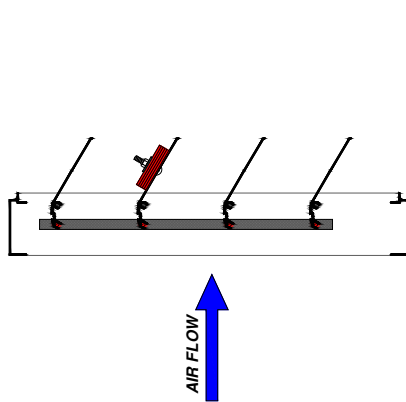
RECOMMENDED SPECIFICATION

Furnish and install back draft damper model 1900 as manufactured by Ventex Inc, Bolton, Ontario. Dampers shall be 2.75" (70 mm) deep when the blades are closed and 5.625" (143 mm) when the blades are open. Blades shall be 0.062" (1.57 mm) extruded 6063-T5 aluminum alloy and frame shall be 0.062" (1.57 mm) extruded 6063-T5 aluminum alloy. The blades must have vinyl edge seals integral to each blade. Linkage is to be concealed from the front view of the damper and cannot be mechanically fastened to the damper blades.

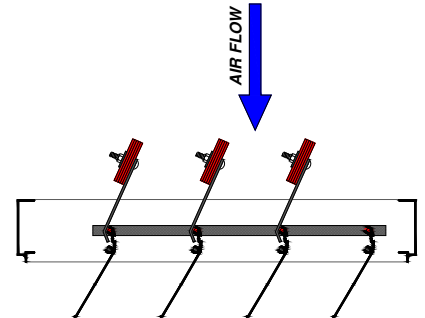
COUNTER BALANCE ARRANGEMENTS



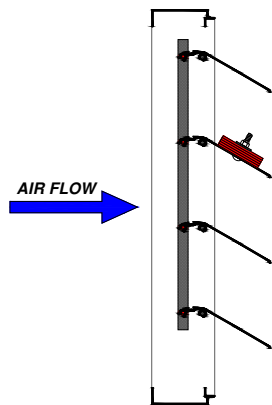
1
MOUNT CONFIGURATION: HORIZONTAL
AIR FLOW: UPWARD
ASSIST: OPEN



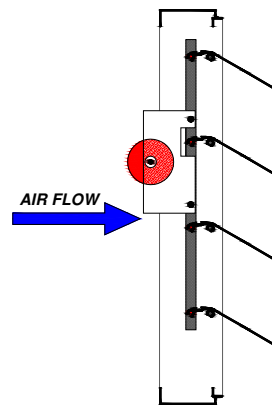
2
MOUNT CONFIGURATION: HORIZONTAL
AIR FLOW: UPWARD
ASSIST: CLOSE



3
MOUNT CONFIGURATION: HORIZONTAL
AIR FLOW: DOWNWARD
ASSIST: CLOSE



4
MOUNT CONFIGURATION: VERTICAL
ASSIST: CLOSE



5
MOUNT CONFIGURATION: VERTICAL
ASSIST: OPEN