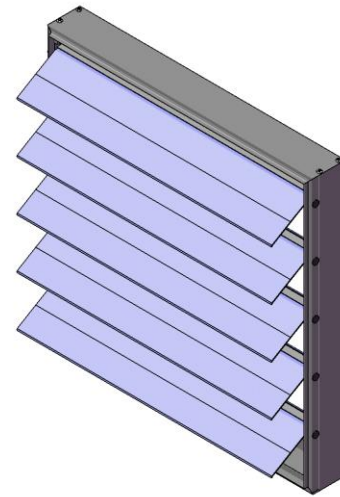
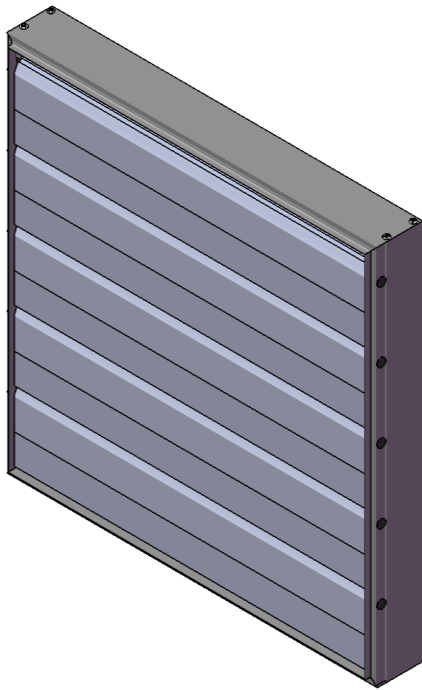


The Ventex 1200 Series is a superior concept in backdraft dampers. This unique, all extruded aluminum product eliminates the shortcomings of previous designs on the market. Pivot pins that quickly wear out or rust, or rivets that shake loose and pull through the blade are no longer a problem. The extruded blades are engineered to combine strength and durability with smooth operation by virtue of their aerodynamic design.



MODEL 1200 (DUCT MOUNT) SHOWN

STANDARD CONSTRUCTION	
MATERIAL:	EXTRUDED ALUMINUM - 6063-T5 ALLOY
FRAME STYLE:	SPECIFY 1200 FOR DUCT MOUNT FRAME SPECIFY 1205 FOR FLANGE FRAME (1 1/2" FLANGE) SPECIFY 1207 FOR FRONT FLANGE FRAME
DEPTH (BLADES CLOSED):	2.75" (70 mm)
DEPTH (BLADES OPEN):	5.625" (143 mm)
FRAME THICKNESS:	0.062" (1.57 mm)
BLADE THICKNESS:	0.062" (1.57 mm)
BLADE CENTRES:	3.75" (95 mm)
SEALS:	VINYL BLADE SEAL
OPERATION METHOD:	GRAVITY
FINISH:	MILL FINISH

SIZE LIMITATIONS		
	MINIMUM	MAXIMUM
WIDTH	8" (203 mm)	60" (1524 mm)
HEIGHT	8" (203 mm)	60" (1524 mm)
AREA	0.44 ft <sup>2</sup> (0.04 m <sup>2</sup> )	25 ft <sup>2</sup> (2.32 m <sup>2</sup> )

MODELS 1200 AND 1207 DAMPERS WILL BE MANUFACTURED 1/4" (6 mm) SMALLER THAN GIVEN OPENING DIMENSIONS UNLESS OTHERWISE SPECIFIED.  
MODEL 1205 DAMPERS WILL BE MANUFACTURED TO THE EXACT SIZE OF GIVEN OPENING DIMENSIONS UNLESS OTHERWISE SPECIFIED.

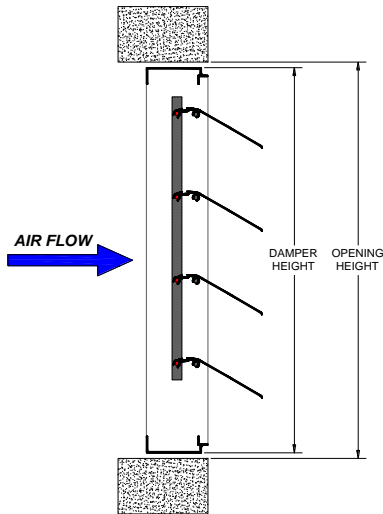
AVAILABLE ACCESSORIES	
<b>SCREENS:</b> <ul style="list-style-type: none"> <li>BIRDSCREEN                             <ul style="list-style-type: none"> <li>1/2" x 1/2" 19 GA. GALVANIZED</li> <li>1/2" x 1/2" INTER CRIMPED ALUMINUM</li> </ul> </li> <li>INSECT SCREEN - 18 x 14 MESH</li> </ul>	<b>OTHER:</b> <ul style="list-style-type: none"> <li>COUNTER BALANCING WITHOUT SPRINGS</li> <li>CONDUIT HOLE</li> <li>MANUAL OPERATION COMPLETE WITH 6 FT. OF CHAIN</li> <li>FOR MOTORIZED OPERATION SEE MODEL SERIES 1300</li> </ul>

TAG	QTY.	OPENING WIDTH	OPENING HEIGHT	FRAME STYLE	ACCESSORIES

PROJECT NAME:	ENGINEER:
CONTRACTOR:	SUBMITTAL DATE:

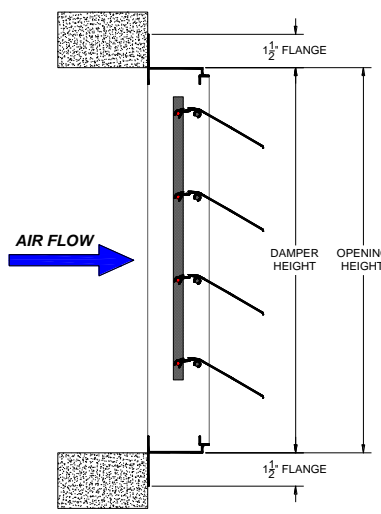
**FRAME STYLE**

**MODEL 1200**  
DUCT MOUNT



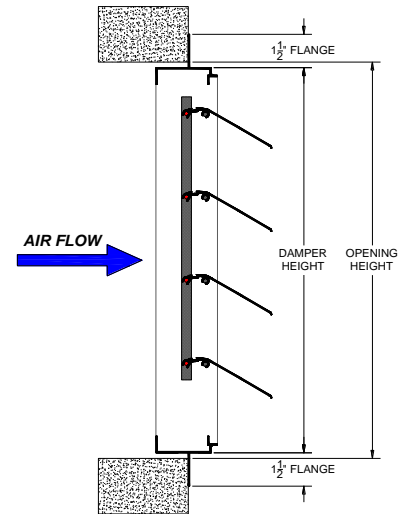
DAMPER SIZE = OPENING SIZE - 1/4"

**MODEL 1205**  
FLANGE MOUNT



DAMPER SIZE = OPENING SIZE

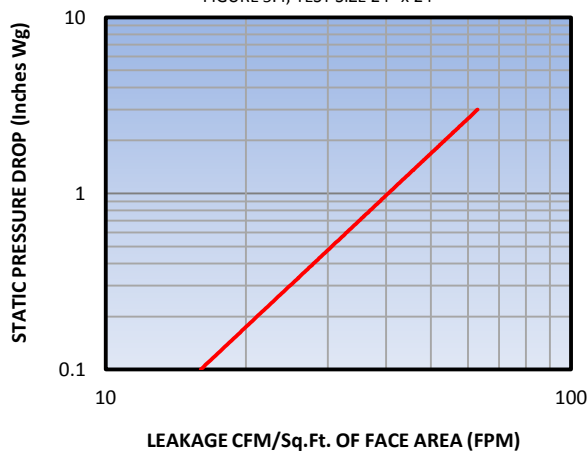
**MODEL 1207**  
FRONT FLANGE MOUNT



\*FFM DAMPER SIZE = OPENING SIZE - 1/4"

**AIR LEAKAGE - BDD**

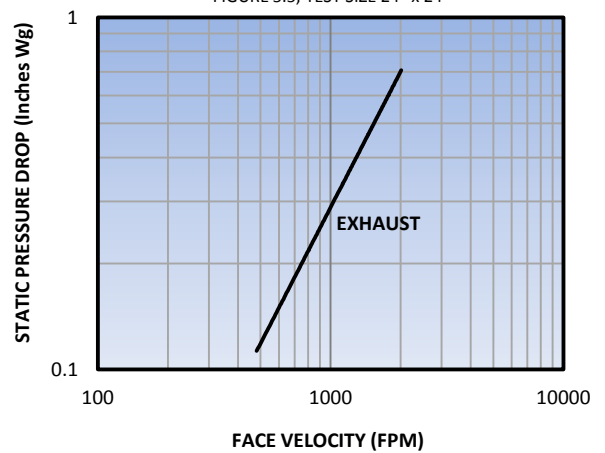
FIGURE 5.4, TEST SIZE 24" x 24"



\*DAMPER CLOSED

**PRESSURE DROP - BDD**

FIGURE 5.5, TEST SIZE 24" x 24"



\*DAMPER OPEN

\*AIR LEAKAGE IS BASED UPON OPERATION BETWEEN 0°C - 49°C (32°F - 120°F)  
\*TEST RESULTS DO NOT INCLUDE THE EFFECTS OF BIRDSCREEN

**RECOMMENDED SPECIFICATION**

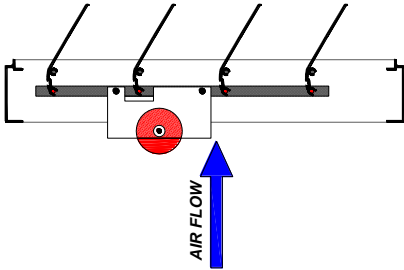
Furnish and install backdraft damper model 1200 (In-Duct Mounting)/1205 (Flange Frame)/1207 (Front Flange Frame) as required for application, as manufactured by Ventex Inc, Bolton, Ontario. Dampers must be licensed to bear the AMCA seal. Dampers shall be 2.75" (70 mm) deep when the blades are closed and 5.625" (143 mm) when the blades are open. Blades shall be 0.062" (1.57 mm) extruded 6063-T5 aluminum alloy and frame shall be 0.062" (1.57 mm) extruded 6063-T5 aluminum alloy. The blades must have vinyl edge seals integral to each blade. Linkage is to be concealed from the front view of the damper and cannot be mechanically fastened to the damper blades.

**CERTIFIED RATINGS**

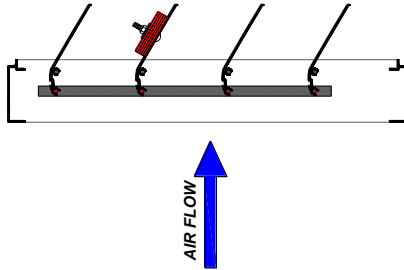
Ventex Inc. certifies that the 1200 Series Backdraft Damper shown here is licensed to bear the AMCA Seal. The ratings shown are based on tests and procedures performed in accordance with AMCA Publication 511 and comply with the requirements of the AMCA Certified Ratings Program. The Certified Ratings Seal applies to air performance and air leakage ratings.



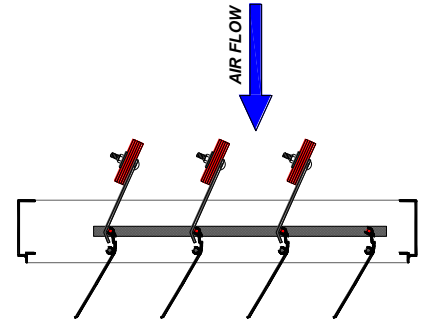
**COUNTER BALANCE ARRANGEMENTS**



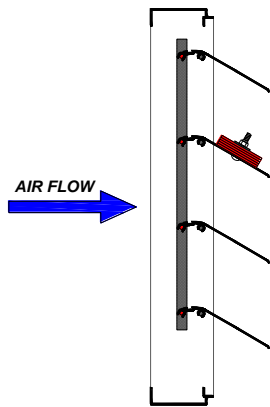
**# 1**  
MOUNT CONFIGURATION: HORIZONTAL  
AIR FLOW: UPWARD  
ASSIST: OPEN



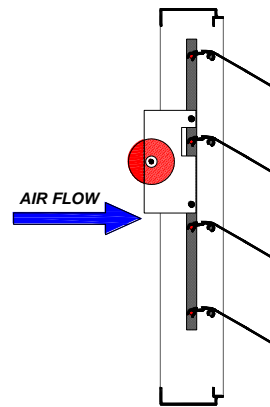
**# 2**  
MOUNT CONFIGURATION: HORIZONTAL  
AIR FLOW: UPWARD  
ASSIST: CLOSE



**# 3**  
MOUNT CONFIGURATION: HORIZONTAL  
AIR FLOW: DOWNWARD  
ASSIST: CLOSE



**# 4**  
MOUNT CONFIGURATION: VERTICAL  
ASSIST: CLOSE



**# 5**  
MOUNT CONFIGURATION: VERTICAL  
ASSIST: OPEN