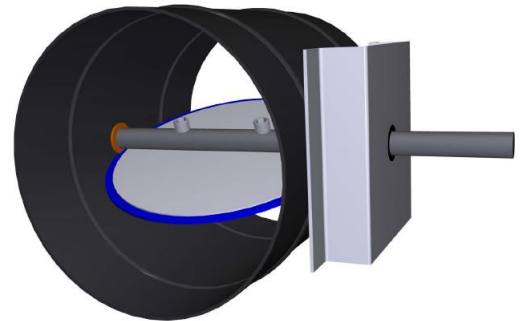
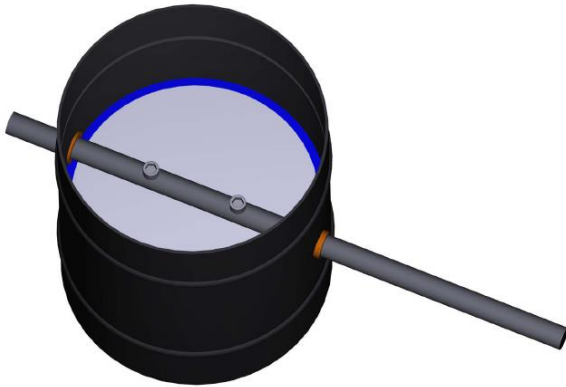


STANDARD CONSTRUCTION

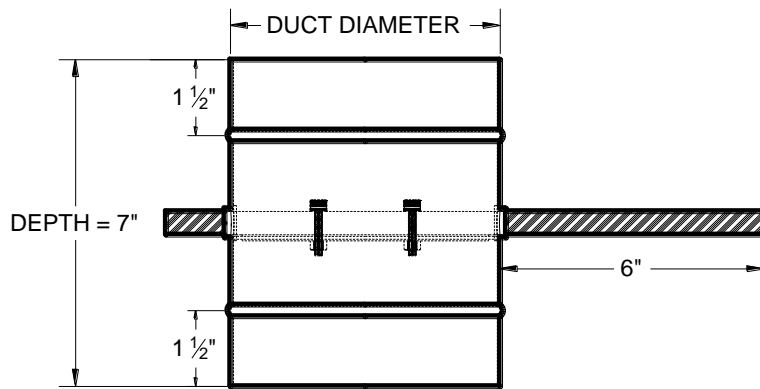
Frame: 16 ga. galvanized steel with stiffening beads, welded construction.
 External reinforcing rings on sizes 16" (406 mm) dia. and larger.
Blades: 2 x 22 ga. galvanized steel, riveted together (equivalent to 16 ga.).
Axle: 3/8" (10 mm) square bar, plated steel.
Blade Seal: EPDM rubber seal encapsulated between blades.
Drive Shaft: 3/8" (10 mm) plated steel square bar, extendable to 6" (152 mm).
Bearings: 3/8" (10 mm) square, moulded synthetic, press-fit into frame.
Finish: Mill galvanized.

AVAILABLE OPTIONS/ACCESSORIES

- Factory Mounted Actuator
- Manual Locking Hand Quadrant
- Flanged Ends for connecting to flanged duct
- Stainless Steel Construction



• Actuator mounting bracket, shown above, is standard (suitable for small Belimo TF actuator. Advise factory if larger actuator will be used).



STANDARD DAMPER SIZES

DUCT DIAMETER Ø INCHES (mm)	
4 (102)	12 (305)
5 (127)	14 (356)
6 (152)	16 (406)
7 (178)	18 (457)
8 (203)	20 (508)
9 (229)	22 (559)
10 (254)	24 (610)

REF. #	QTY.	DUCT DIAMETER	ACCESSORIES/OPTIONAL CONSTRUCTION

*DAMPER WILL BE MANUFACTURED APPROXIMATELY 1/4" (6 mm) SMALLER THAN GIVEN DUCT DIMENSIONS.

PROJECT NAME:		ENGINEER:	
CONTRACTOR:		SUBMITTAL DATE:	

Dwg. RSCD September 2017