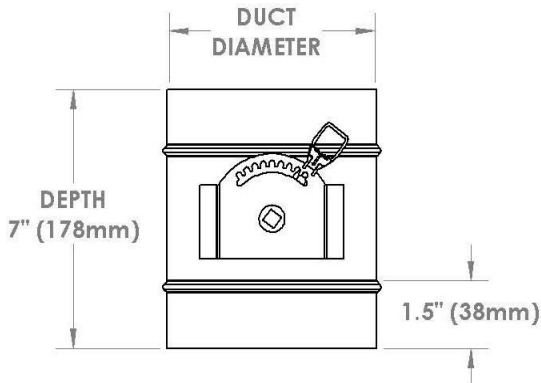
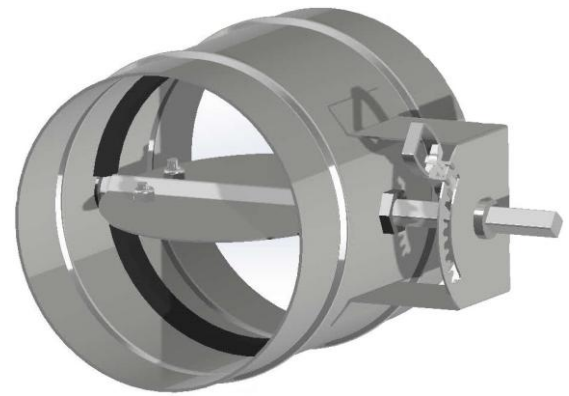
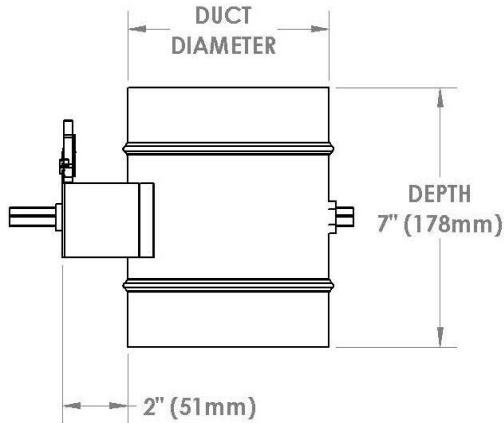


STANDARD CONSTRUCTION

Frame: 16 ga. galvanized steel (welded construction).
Blade: 22 ga. galvanized steel.
Axle: 3/8" square bar, steel.
Blade Seal: Neoprene seal around perimeter of frame.
Drive Shaft: 3/8" square, steel.
Manual Quadrant: "Quick-Click" positive locking quadrant handle.
Bearing: 3/8" bushing press-fit into frame.
Finish: Mill.

AVAILABLE ACCESSORIES

- Flanged Ends for connecting to flanged duct
- Stainless Steel Construction



STANDARD DAMPER SIZES

DUCT DIAMETER Ø INCHES (mm)	
4 (102)	12 (305)
5 (127)	14 (356)
6 (152)	16 (406)
7 (178)	18 (457)
8 (203)	20 (508)
9 (229)	22 (559)
10 (254)	24 (610)

TAG	QTY.	DUCT DIAMETER	ACCESSORIES/OPTIONAL CONSTRUCTION

*DAMPER WILL BE MANUFACTURED APPROXIMATELY 1/4" (6.4 mm) SMALLER THAN GIVEN DUCT DIMENSIONS.

PROJECT NAME:		ENGINEER:	
CONTRACTOR:		SUBMITTAL DATE:	