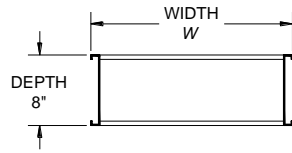
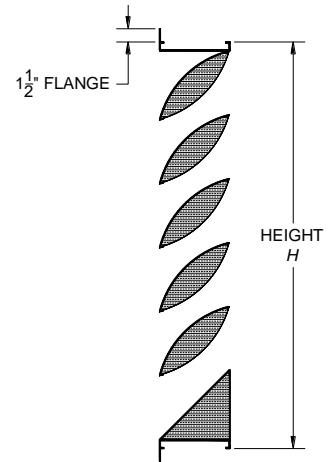
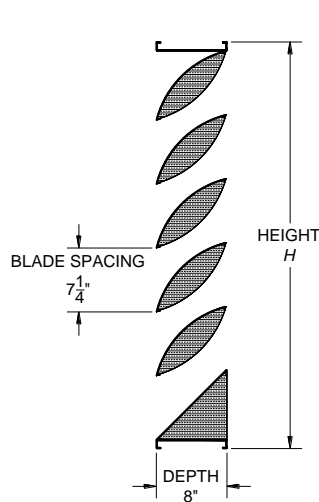
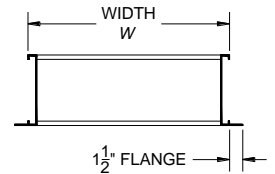


**MODEL: ACL800F**  
**FRAME: CHANNEL FRAME**  
**DUCT-MOUNT (DM)**



**MODEL: ACL805F**  
**FRAME: FLANGE FRAME**  
**FLANGE-MOUNT (FM)**



PERFORMANCE			
LOUVER UNIT SIZE	TOTAL AREA	FREE AREA	FREE AREA
48" x 48"	16 ft <sup>2</sup>	5.21 ft <sup>2</sup>	<b>32.6%</b>
(1219 x 1219 mm)	(1.49 m <sup>2</sup> )	(0.48 m <sup>2</sup> )	
BEGINNING POINT OF WATER PENETRATION AT 0.01 oz./ft <sup>2</sup> FREE AREA:			<b>840 FPM</b>

STANDARD CONSTRUCTION	
DEPTH:	8" (203 mm)
MATERIAL:	ALUMINUM
FRAME:	0.125" (3.18 mm) FORMED ALUMINUM
BLADE EXTERIOR:	0.063" (1.60 mm) FORMED ALUMINUM
BLADE INTERIOR:	0.032" (0.81 mm) PERFORATED ALUMINUM, 3/32" Ø HOLES
INSULATION:	MINERAL WOOL
BLADE ANGLE:	45°
BLADE CENTRES:	7.25" (184 mm)
BIRDSCREEN:	19 GA. GALVANIZED BIRDSCREEN, 1/2" x 1/2" OPENINGS
FINISH:	MILL

SIZE LIMITATIONS: SINGLE SECTION LOUVER		
	MINIMUM	MAXIMUM
WIDTH	12" (305 mm)	60" (1524 mm)
HEIGHT	16" (406 mm)	96" (2438 mm)
AREA	1.3 ft <sup>2</sup> (0.12 m <sup>2</sup> )	40 ft <sup>2</sup> (3.72 m <sup>2</sup> )

"LOUVER WILL BE MANUFACTURED 1/4" (6 mm) SMALLER (SINGLE SECTION) AND 1/2" (13 mm) SMALLER (MULTIPLE SECTION) THAN GIVEN OPENING DIMENSIONS UNLESS OTHERWISE SPECIFIED.

OPTIONS / ACCESSORIES	
<b>FINISH:</b> <ul style="list-style-type: none"> <li>POWDER COAT FINISH</li> <li>DURANAR FINISH</li> <li>ANODIZED FINISH                             <ul style="list-style-type: none"> <li>CLEAR ANODIZED</li> <li>LIGHT BRONZE</li> <li>MEDIUM BRONZE</li> <li>DARK BRONZE</li> <li>BLACK ANODIZED</li> </ul> </li> </ul>	<b>SCREENS:</b> <ul style="list-style-type: none"> <li>BIRDSCREEN                             <ul style="list-style-type: none"> <li>1/2" x 1/2" INTER CRIMPED ALUMINUM</li> <li>ALUMINUM BIRDSCREEN WITH FRAME</li> </ul> </li> <li>INSECT SCREEN                             <ul style="list-style-type: none"> <li>ALUMINUM, 18 x 14 MESH</li> </ul> </li> </ul>
<b>OTHER:</b> <ul style="list-style-type: none"> <li>EXTENDED SILLS</li> <li>SECURITY BARS</li> <li>FILTER RACKS</li> <li>STAINLESS STEEL FASTENERS</li> <li>HINGED ACCESS DOORS</li> </ul>	<b>BLANK-OFF PANELS (ALUMINUM):</b> VARIOUS GAUGES <ul style="list-style-type: none"> <li>NON-INSULATED BLANK-OFF PANELS</li> <li>INSULATED BLANK-OFF PANELS                                     <ul style="list-style-type: none"> <li>1" (25 mm) INSULATION</li> <li>2" (51 mm) INSULATION</li> </ul> </li> </ul>

SOUND PERFORMANCE		
OCTAVE BAND / FREQUENCY	TRANSMISSION LOSS (dB)	FREE FIELD NOISE REDUCTION (dB)
1 / 63	6	12
2 / 125	6	12
3 / 250	8	14
4 / 500	11	17
5 / 1000	15	21
6 / 2000	15	21
7 / 4000	13	19
8 / 8000	13	19

THIS TEST WAS CONDUCTED IN ACCORDANCE WITH ASTM STANDARD E90-04, "STANDARD TEST METHOD FOR LABORATORY MEASUREMENT OF AIRBORNE SOUND TRANSMISSION LOSS OF BUILDING PARTITIONS AND ELEMENTS".

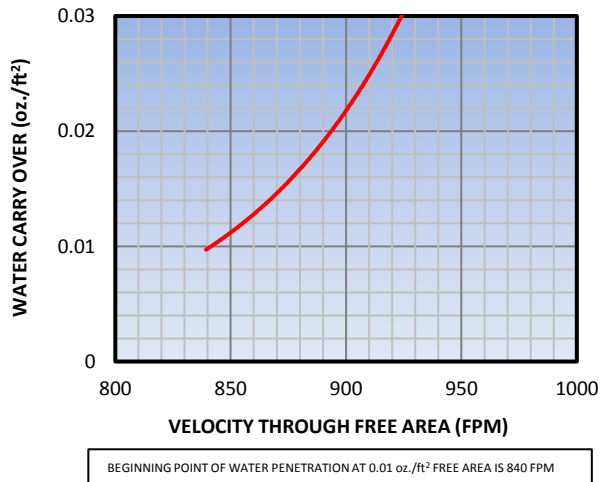
**FREE AREA (Sq. Ft.)**

		WIDTH (INCHES)												
		12	16	20	24	28	32	36	40	44	48	52	56	60
HEIGHT (INCHES)	16	0.32	0.44	0.57	0.70	0.82	0.95	1.08	1.20	1.33	1.46	1.58	1.71	1.84
	24	0.55	0.77	0.99	1.21	1.43	1.65	1.87	2.09	2.31	2.53	2.75	2.97	3.19
	32	0.77	1.08	1.39	1.70	2.00	2.31	2.62	2.93	3.24	3.55	3.86	4.16	4.47
	40	0.95	1.33	1.71	2.09	2.48	2.86	3.24	3.62	4.00	4.38	4.76	5.14	5.52
	48	1.13	1.59	2.04	2.49	2.95	3.40	3.85	4.31	4.76	5.21	5.67	6.12	6.57
	56	1.31	1.84	2.37	2.89	3.42	3.94	4.47	5.00	5.52	6.05	6.57	7.10	7.62
	64	1.50	2.09	2.69	3.29	3.89	4.49	5.09	5.68	6.28	6.88	7.48	8.08	8.67
	72	1.68	2.35	3.02	3.69	4.36	5.03	5.70	6.37	7.04	7.71	8.38	9.05	9.73
	80	1.86	2.60	3.34	4.09	4.83	5.57	6.32	7.06	7.80	8.55	9.29	10.03	10.78
	88	2.09	2.93	3.77	4.61	5.44	6.28	7.12	7.95	8.79	9.63	10.47	11.30	12.14
96	2.33	3.26	4.19	5.12	6.05	6.98	7.91	8.84	9.77	10.70	11.63	12.56	13.49	

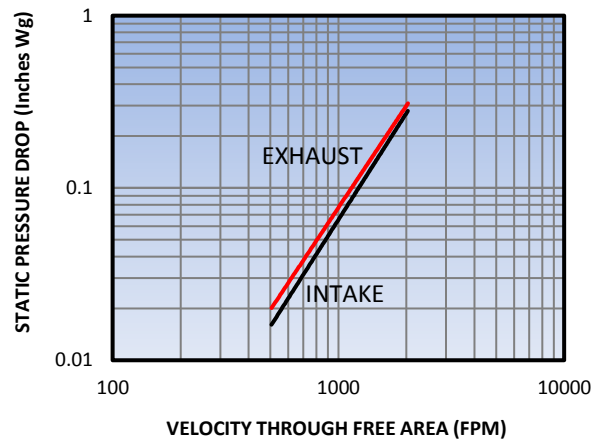
**FREE AREA (%)**

		WIDTH (INCHES)												
		12	16	20	24	28	32	36	40	44	48	52	56	60
HEIGHT (INCHES)	16	23.7%	24.9%	25.6%	26.1%	26.5%	26.7%	26.9%	27.1%	27.2%	27.3%	27.4%	27.5%	27.5%
	24	27.5%	28.9%	29.7%	30.2%	30.6%	30.9%	31.2%	31.3%	31.5%	31.6%	31.7%	31.8%	31.9%
	32	28.9%	30.4%	31.2%	31.8%	32.2%	32.5%	32.8%	33.0%	33.1%	33.3%	33.4%	33.5%	33.5%
	40	28.6%	30.0%	30.9%	31.4%	31.8%	32.1%	32.4%	32.6%	32.7%	32.9%	33.0%	33.1%	33.1%
	48	28.3%	29.8%	30.6%	31.2%	31.6%	31.9%	32.1%	32.3%	32.5%	32.6%	32.7%	32.8%	32.9%
	56	28.2%	29.6%	30.4%	31.0%	31.4%	31.7%	31.9%	32.1%	32.3%	32.4%	32.5%	32.6%	32.7%
	64	28.0%	29.4%	30.3%	30.8%	31.2%	31.5%	31.8%	32.0%	32.1%	32.3%	32.4%	32.5%	32.5%
	72	27.9%	29.3%	30.2%	30.7%	31.1%	31.4%	31.7%	31.9%	32.0%	32.1%	32.2%	32.3%	32.4%
	80	27.9%	29.3%	30.1%	30.7%	31.1%	31.4%	31.6%	31.8%	31.9%	32.0%	32.2%	32.2%	32.3%
	88	28.5%	30.0%	30.8%	31.4%	31.8%	32.1%	32.4%	32.5%	32.7%	32.8%	32.9%	33.0%	33.1%
96	29.1%	30.5%	31.4%	32.0%	32.4%	32.7%	33.0%	33.2%	33.3%	33.4%	33.6%	33.7%	33.7%	

**WATER PENETRATION - ACL800F / ACL805F**  
15 MINUTE DURATION, TEST SIZE 48" x 48"



**PRESSURE DROP - ACL800F / ACL805F**  
FIGURE 5.5, TEST SIZE 48" x 48"



\*TEST RESULTS DO NOT INCLUDE THE EFFECTS OF BIRDSCREEN

**RECOMMENDED SPECIFICATION**

Furnish and install stationary louver models ACL800F / ACL805F as manufactured by Ventex Inc, Alliston, Ontario. Louvers must be licensed to bear the AMCA seal. Louvers shall be 8" (203 mm) deep. Blades shall be 0.063" (1.60 mm) formed aluminum and frame shall be 0.125" (3.18 mm) formed aluminum. Louvers shall have 19 gauge galvanized 1/2" x 1/2" birdscreen. All materials shall be factory finished after assembly with Polyester Powder Coat in a colour selected from the Ventex Colour Chart.

**CERTIFIED RATINGS**

Ventex Inc. certifies that the models ACL800F / ACL805F shown here are licensed to bear the AMCA Seal. The ratings shown are based on tests and procedures performed in accordance with AMCA Publication 511 and comply with the requirements of the AMCA Certified Ratings Program. The Certified Ratings Seal applies to air performance and water penetration ratings.

