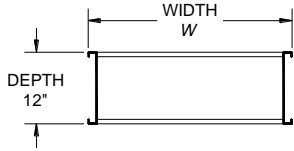
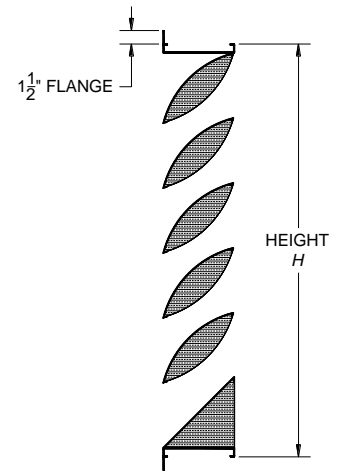
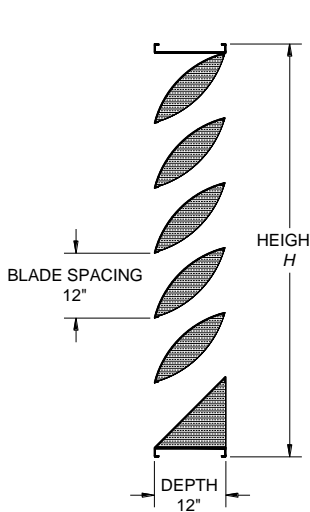
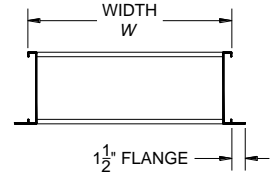


MODEL: ACL 1200F
FRAME: CHANNEL FRAME
DUCT-MOUNT (DM)



MODEL: ACL 1205F
FRAME: FLANGE FRAME
FLANGE-MOUNT (FM)



PERFORMANCE			
LOUVER UNIT SIZE	TOTAL AREA	FREE AREA	FREE AREA
48" x 48"	16 ft ²	5.10 ft ²	31.8%
(1219 x 1219 mm)	(1.49 m ²)	(0.47 m ²)	
BEGINNING POINT OF WATER PENETRATION AT 0.01 oz./ft ² FREE AREA:			1050 FPM

STANDARD CONSTRUCTION	
DEPTH:	12" (305 mm)
MATERIAL:	ALUMINUM
FRAME:	0.125" (3.18 mm) FORMED ALUMINUM
BLADE EXTERIOR:	0.063" (1.60 mm) FORMED ALUMINUM
BLADE INTERIOR:	0.032" (0.81 mm) PERFORATED ALUMINUM, 3/32" Ø HOLES
INSULATION:	MINERAL WOOL
BLADE ANGLE:	45°
BLADE CENTRES:	12" (305 mm)
BIRDSCREEN:	19 GA. GALVANIZED BIRDSCREEN, 1/2" x 1/2" OPENINGS
FINISH:	MILL

SIZE LIMITATIONS: SINGLE SECTION LOUVER		
	MINIMUM	MAXIMUM
WIDTH	12" (305 mm)	60" (1524 mm)
HEIGHT	24" (610 mm)	72" (1829 mm)
AREA	2 ft ² (0.19 m ²)	30 ft ² (2.79 m ²)

*LOUVER WILL BE MANUFACTURED 1/4" (6 mm) SMALLER (SINGLE SECTION) AND 1/2" (13 mm) SMALLER (MULTIPLE SECTION) THAN GIVEN OPENING DIMENSIONS UNLESS OTHERWISE SPECIFIED

OPTIONS / ACCESSORIES	
FINISH: <ul style="list-style-type: none"> POWDER COAT FINISH DURANAR FINISH ANODIZED FINISH <ul style="list-style-type: none"> CLEAR ANODIZED LIGHT BRONZE MEDIUM BRONZE DARK BRONZE BLACK ANODIZED 	SCREENS: <ul style="list-style-type: none"> BIRDSCREEN <ul style="list-style-type: none"> 1/2" x 1/2" INTER CRIMPED ALUMINUM ALUMINUM BIRDSCREEN WITH FRAME INSECT SCREEN <ul style="list-style-type: none"> ALUMINUM, 18 x 14 MESH
OTHER: <ul style="list-style-type: none"> EXTENDED SILLS SECURITY BARS FILTER RACKS STAINLESS STEEL FASTENERS HINGED ACCESS DOORS 	BLANK-OFF PANELS (ALUMINUM): VARIOUS GAUGES <ul style="list-style-type: none"> NON-INSULATED BLANK-OFF PANELS INSULATED BLANK-OFF PANELS <ul style="list-style-type: none"> 1" (25 mm) INSULATION 2" (51 mm) INSULATION

SOUND PERFORMANCE		
OCTAVE BAND / FREQUENCY	TRANSMISSION LOSS (dB)	FREE FIELD NOISE REDUCTION (dB)
1 / 63	9	15
2 / 125	9	15
3 / 250	12	18
4 / 500	14	20
5 / 1000	18	24
6 / 2000	17	23
7 / 4000	16	22
8 / 8000	16	22

THIS TEST WAS CONDUCTED IN ACCORDANCE WITH ASTM STANDARD E90-04, "STANDARD TEST METHOD FOR LABORATORY MEASUREMENT OF AIRBORNE SOUND TRANSMISSION LOSS OF BUILDING PARTITIONS AND ELEMENTS".



ACL1200F / ACL1205F
 12" DEEP ACOUSTIC LOUVER • AIRFOIL BLADES

FREE AREA (Sq. Ft.)

		WIDTH (INCHES)												
		12	16	20	24	28	32	36	40	44	48	52	56	60
HEIGHT (INCHES)	24	0.35	0.48	0.62	0.75	0.88	1.02	1.15	1.28	1.42	1.55	1.68	1.82	1.95
	28	0.62	0.85	1.09	1.32	1.56	1.79	2.03	2.26	2.50	2.73	2.96	3.20	3.43
	32	0.75	1.04	1.32	1.61	1.89	2.18	2.47	2.75	3.04	3.32	3.61	3.90	4.18
	36	0.75	1.04	1.32	1.61	1.89	2.18	2.47	2.75	3.04	3.32	3.61	3.90	4.18
	40	1.02	1.40	1.79	2.18	2.57	2.95	3.34	3.73	4.11	4.50	4.89	5.28	5.66
	44	1.15	1.59	2.03	2.47	2.90	3.34	3.78	4.22	4.66	5.10	5.53	5.97	6.41
	48	1.15	1.59	2.03	2.47	2.90	3.34	3.78	4.22	4.66	5.10	5.53	5.97	6.41
	52	1.42	1.96	2.50	3.04	3.58	4.12	4.65	5.19	5.73	6.27	6.81	7.35	7.89
	56	1.55	2.14	2.73	3.32	3.91	4.50	5.10	5.69	6.28	6.87	7.46	8.05	8.64
	60	1.55	2.14	2.73	3.32	3.91	4.50	5.10	5.69	6.28	6.87	7.46	8.05	8.64
	64	1.82	2.51	3.20	3.89	4.59	5.28	5.97	6.66	7.35	8.05	8.74	9.43	10.12
	68	1.95	2.69	3.44	4.18	4.92	5.67	6.41	7.15	7.90	8.64	9.38	10.13	10.87
	72	1.95	2.69	3.44	4.18	4.92	5.67	6.41	7.15	7.90	8.64	9.38	10.13	10.87

FREE AREA (%)

		WIDTH (INCHES)												
		12	16	20	24	28	32	36	40	44	48	52	56	60
HEIGHT (INCHES)	24	17.5%	18.1%	18.5%	18.8%	18.9%	19.1%	19.2%	19.3%	19.3%	19.4%	19.4%	19.5%	19.5%
	28	26.4%	27.4%	27.9%	28.3%	28.6%	28.8%	28.9%	29.1%	29.2%	29.2%	29.3%	29.4%	29.4%
	32	28.1%	29.1%	29.7%	30.2%	30.4%	30.7%	30.8%	31.0%	31.1%	31.2%	31.2%	31.3%	31.4%
	36	25.0%	25.9%	26.4%	26.8%	27.1%	27.2%	27.4%	27.5%	27.6%	27.7%	27.8%	27.8%	27.9%
	40	30.5%	31.6%	32.2%	32.7%	33.0%	33.2%	33.4%	33.5%	33.7%	33.8%	33.8%	33.9%	34.0%
	44	31.4%	32.5%	33.2%	33.6%	33.9%	34.2%	34.4%	34.5%	34.6%	34.7%	34.8%	34.9%	35.0%
	48	28.8%	29.8%	30.4%	30.8%	31.1%	31.3%	31.5%	31.6%	31.8%	31.8%	31.9%	32.0%	32.1%
	52	32.7%	33.9%	34.6%	35.0%	35.4%	35.6%	35.8%	36.0%	36.1%	36.2%	36.3%	36.4%	36.4%
	56	33.2%	34.4%	35.1%	35.6%	35.9%	36.2%	36.4%	36.6%	36.7%	36.8%	36.9%	37.0%	37.0%
	60	31.0%	32.1%	32.8%	33.2%	33.5%	33.8%	34.0%	34.1%	34.2%	34.3%	34.4%	34.5%	34.6%
	64	34.1%	35.3%	36.0%	36.5%	36.8%	37.1%	37.3%	37.5%	37.6%	37.7%	37.8%	37.9%	38.0%
	68	34.4%	35.7%	36.4%	36.9%	37.2%	37.5%	37.7%	37.9%	38.0%	38.1%	38.2%	38.3%	38.4%
	72	32.5%	33.7%	34.4%	34.8%	35.2%	35.4%	35.6%	35.8%	35.9%	36.0%	36.1%	36.2%	36.2%

RECOMMENDED SPECIFICATION

Furnish and install stationary louver models ACL1200F / ACL1205F as manufactured by Ventex Inc., Alliston, Ontario. Louvers shall be 12" (305 mm) deep. Blades shall be 0.063" (1.60 mm) formed aluminum and frame shall be 0.125" (3.18 mm) formed aluminum. Louvers shall have 19 gauge galvanized 1/2" x 1/2" birdscreen. All materials shall be factory finished after assembly with Polyester Powder Coat in a colour selected from the Ventex Colour Chart.