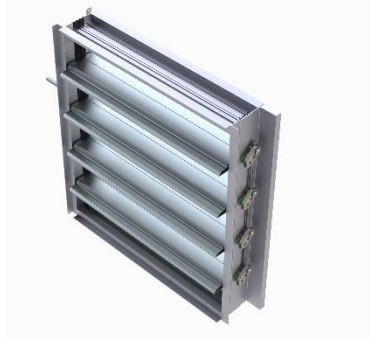




3960
Duct-Mount



3961 Quick 'N' Stall
Duct-Mount



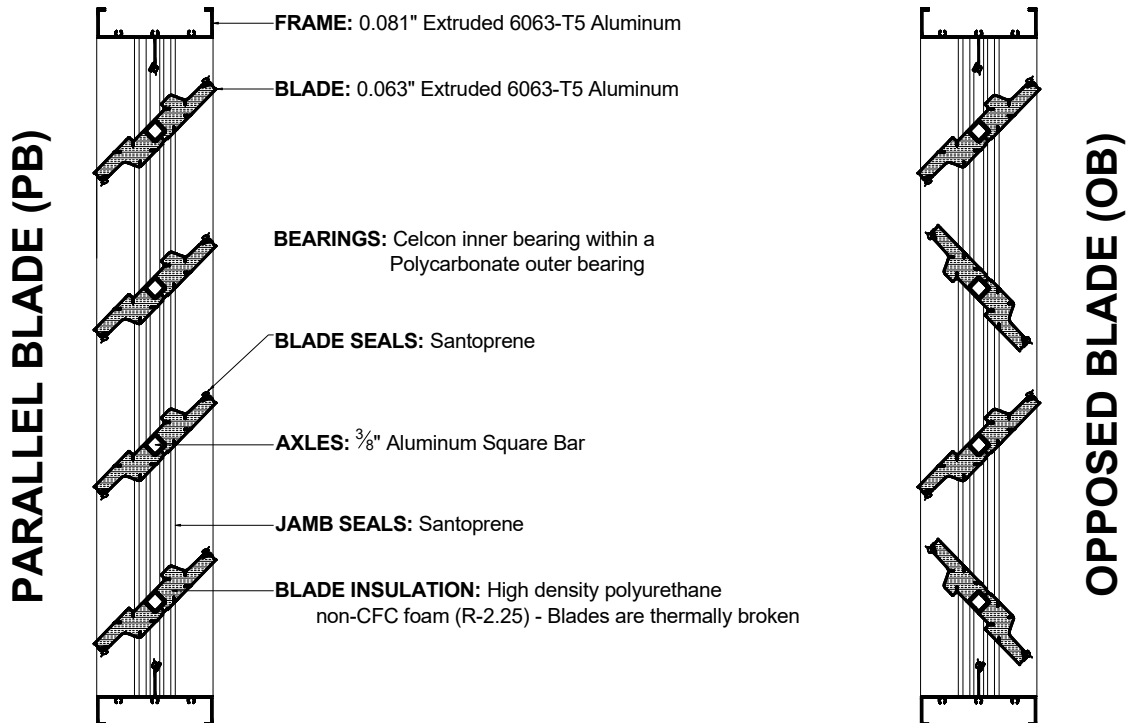
3965
Flanged-to-Duct

STANDARD CONSTRUCTION

Depth: 4" (102 mm) – 3960/3965
5.25" (133 mm) – 3961
Depth with Blades Open: 6.125" (156 mm)
Minimum Height: 6" (152 mm) - Single Blade
15" (381 mm) - Multiple Blade
Maximum Panel Width: 48" (1219 mm)
Maximum Panel Height: 60" (1524 mm)
Maximum Panel Size: 20 Sq.Ft.
Maximum System Pressure: 4" w.g. (1 kPa)
Operating Temperature Range: -40° to +180° F
Standard Finish: Mill
Standard Motor Installation: 6" Side Shaft Direct Drive
Linkage: Concealed in Frame (3960/3961)
Outside of Frame (3965)

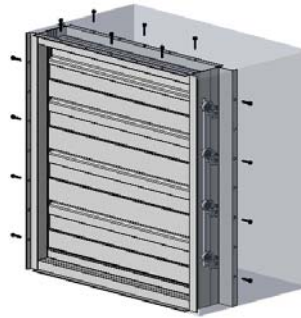
OPTIONS/ACCESSORIES

- Factory Supplied Actuators
- End Switch for signaling peripheral devices
- Jack Shaft
- Hand Quadrants
- Chain Operation for manual operation spring closed
- Silicone Blade and Jamb Seals – Specify 3900S/
- Salt Water Construction – Specify 3900SW
- Available finish: Clear Anodized
- Frame Insulation: Polystyrene Insulation

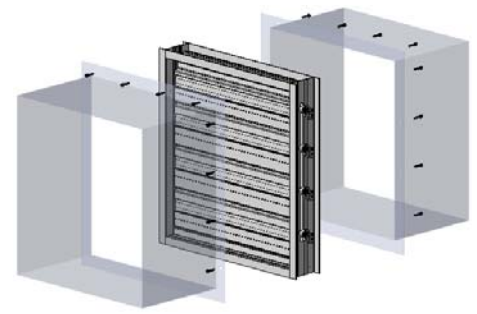




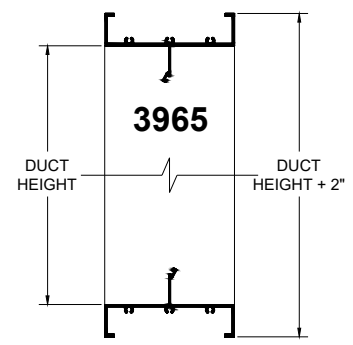
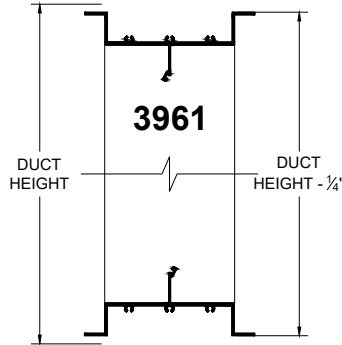
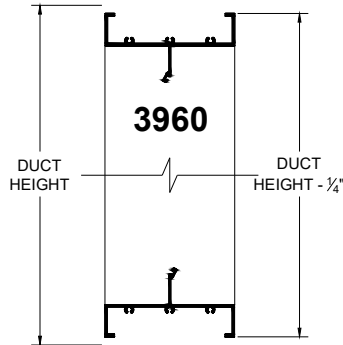
3960 – Duct-Mount



3961 – Duct-Mount



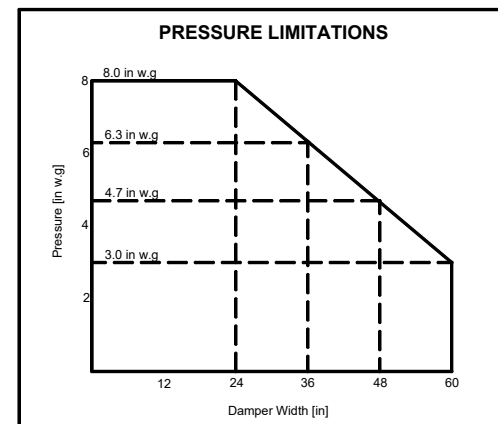
3965 – Flanged-to-Duct



For Duct-Mount Frame specify: 3960 / 3961
For Flanged-to-Duct Frame specify: 3965

RECOMMENDED SPECIFICATION

Furnish and install control damper models 3960 / 3961 / 3965 as manufactured by Alumavent, Alliston Ontario. Dampers must be licensed to bear the AMCA seal. Blades shall be 0.063" (1.60 mm) thick, thermally broken with high density Polyurethane non-CFC injected foam insulation. Frame shall be 0.081" (2.06 mm) thick. Axles shall be 0.375" (9.53 mm) thick, aluminum square bar. Blade and jamb seals shall be Santoprene. Linkage is concealed in frame for models 3960 / 3961 and outside of frame for model 3965. Air leakage through a 36" x 36" (914 mm x 914 mm) damper shall not exceed 3 CFM/ft² (15.2 L/s/m²) against 1" w.g (0.25 kPa) static pressure at standard air (as per AMCA testing). Operating temperature range shall be -40° to +180° F.



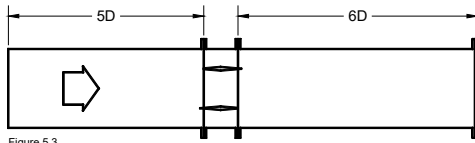
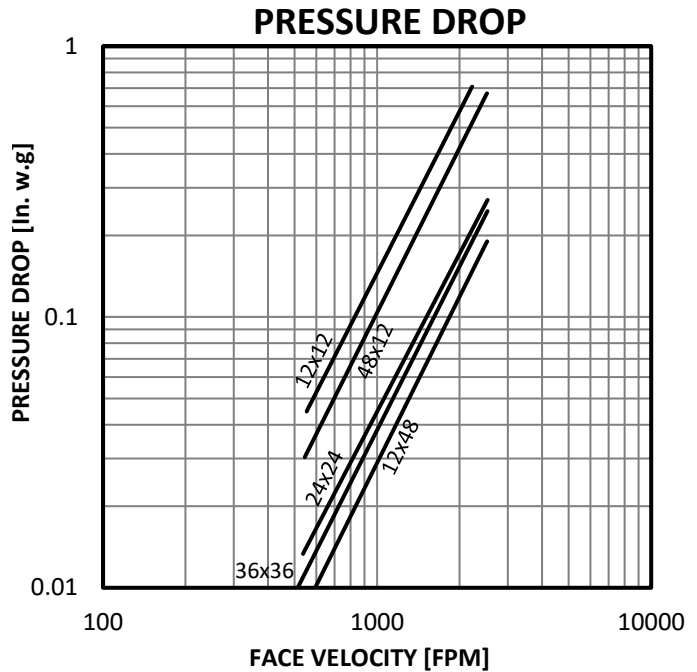


Figure 5.3

| 3900 SERIES CONTROL DAMPER PRESSURE DROP | |
|--|-------------------------|
| Velocity [FPM] | Pressure Drop [in. w.g] |
| 12x12 (inches) | |
| 553.6 | 0.044 |
| 891.4 | 0.119 |
| 1051.9 | 0.161 |
| 2021.4 | 0.554 |
| 2221.7 | 0.740 |
| 24x24 (inches) | |
| 536.8 | 0.014 |
| 776.9 | 0.025 |
| 1101.1 | 0.056 |
| 2066.3 | 0.182 |
| 2530.1 | 0.272 |
| 36x36 (inches) | |
| 500.4 | 0.01 |
| 750.6 | 0.021 |
| 1006.1 | 0.036 |
| 2019.5 | 0.161 |
| 2526.6 | 0.249 |
| 12x48 (inches) | |
| 545 | 0.008 |
| 772.8 | 0.018 |
| 1095.3 | 0.035 |
| 2055.5 | 0.126 |
| 2519.2 | 0.187 |
| 48x12 (inches) | |
| 544.6 | 0.029 |
| 772.2 | 0.064 |
| 1094.4 | 0.1228 |
| 2053.1 | 0.439 |
| 2516 | 0.661 |

CERTIFIED RATINGS

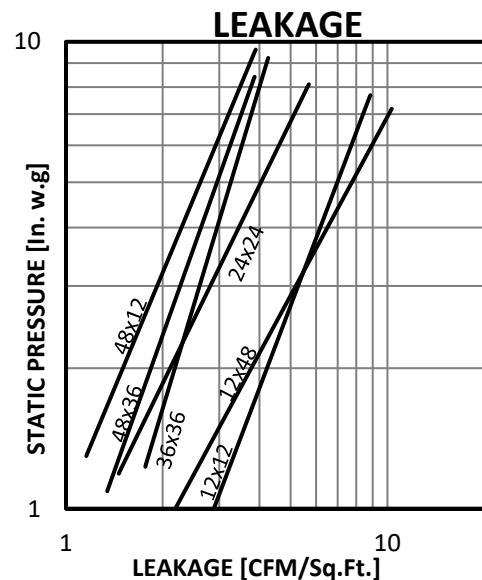
Alumavent Inc. certifies that the 3900 Series Insulated Control Dampers shown here are licensed to bear the AMCA Seal. The ratings shown are based on tests and procedures performed in accordance with AMCA Publication 511 and comply with the requirements of the AMCA Certified Ratings Program. The AMCA Certified Ratings Seal applies to air performance ratings and air leakage ratings.



Pressure drop tested to AMCA Standard 500-D, per set-up Figure 5.3. Data corrected to standard air density of 0.075 lbs./ft.³.

| DEFINITION OF LEAKAGE CLASSIFICATION | | | | |
|--------------------------------------|--|--------------|--------------|---------------|
| CLASS | LEAKAGE ft ³ /min/ft ² (L/s/m ²) | | | |
| | 1" (0.25 kPa) | 4" (1.0 kPa) | 8" (2.0 kPa) | 12" (3.0 kPa) |
| 1A | 3 (15.2) | N/A | N/A | N/A |
| 1 | 4 (20.3) | 8 (40.6) | 11 (55.9) | 14 (71.1) |
| 2 | 10 (50.8) | 20 (102) | 28 (142) | 35 (178) |
| 3 | 40 (203) | 80 (406) | 112 (569) | 140 (711) |

| 3900 SERIES CONTROL DAMPER LEAKAGE RATING | | | |
|---|-----------------------|--------------|--------------|
| DAMPER SIZE Width x Height | PRESSURE in w.g (kPa) | | |
| | 1" (0.25 kPa) | 4" (1.0 kPa) | 8" (2.0 kPa) |
| 12" x 12" (305x305 mm) | 1A | 1 | 1 |
| 24" x 24" (610x610 mm) | 1 | 1 | 1 |
| 36" x 36" (914x914 mm) | 1A | 1 | 1 |
| 12" x 48" (305x1219 mm) | 1A | 1 | 1 |
| 48" x 12" (1219x305 mm) | 1A | 1 | 1 |
| 36" x 48" (914x1219 mm) | 1A | 1 | 1 |



Leakage test was conducted in accordance with AMCA Standard 500-D, Fig.5.4A. Data are based on a torque of 6 in.-lbs./sq.ft. (.87 N·m) to close and seat the damper during the test. Air leakage is based on operation between 0°C-49°C (32°F-120°F). Data corrected to standard air density of 0.075 lbs./ft.³.