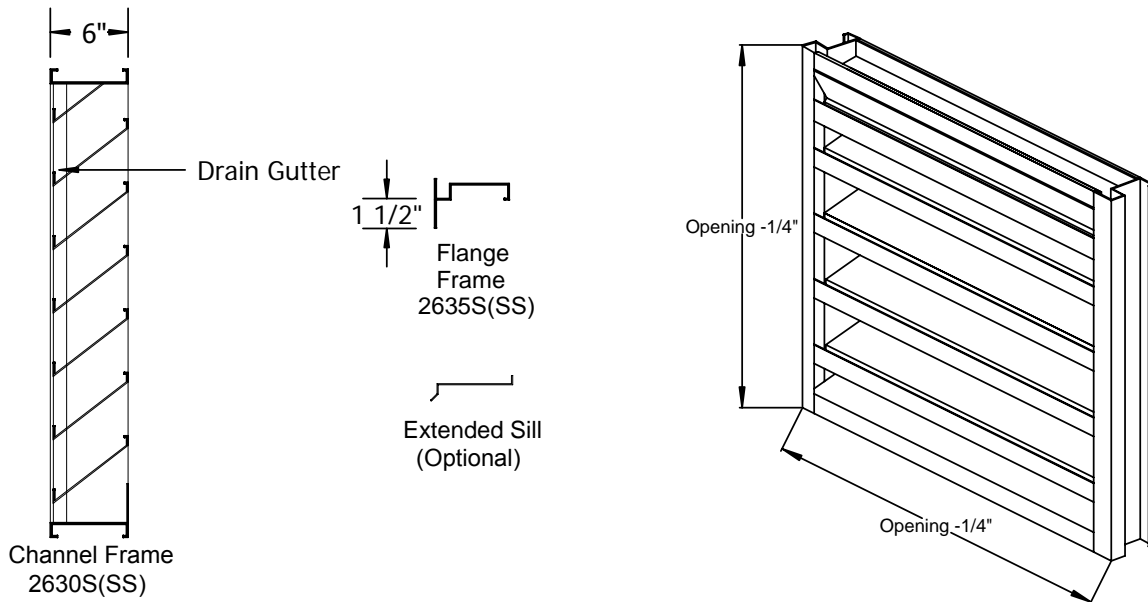


Models 2630S(SS) / 2635S(SS) 6" Formed Steel Drainable Louver



Quantity	Ref. #	Width (W) Opening Size*	Height (H) Opening Size*	Frame	Options/Accessories
PROJECT NAME:				ENGINEER:	
CONTRACTOR:				SUBMITTAL DATE:	

STANDARD CONSTRUCTION

Depth: 6" (152 mm)
 Material: Galvanized Steel
 Frame Thickness: 18 ga.
 Blade Thickness: 18 ga.
 Blade Angle: 37.5 degrees
 Blade Centers: 4-3/4"
 Bird Screen: 1/2" x 1/2" galvanized, 19 ga.
 Minimum Size: 12" x 12" (305 x 305 mm)
 Maximum Panel Width: 60 inches (1524 mm)
 Maximum Panel Height: 120 inches (3048mm)
 Standard Finish: Mill Finish

Free Area 48" x 48: 8.30 sq. ft. (.077 m2)
 Beginning Point of Water Penetration: 955 fpm
 Maximum Recommended Intake Velocity: 760 fpm
 Pressure drop @ 760 FPM .07" w.g.

OPTIONS/ACCESSORIES

Stainless Steel Construction: Type 304
 Type 316

Bird Screen: 1" x 1" Galvanized
 1/2" x 1/2" Stainless Steel

Insect Screen: 18 x 14 Mesh

Finish: Powder Coat Paint
 Paint Color # _____

Accessories: Blank Off Panel
 1" or 2" Insulated Blank Off Panel
 Hinged Frame
 Assembled with Stainless Steel Fasteners
 Hinged Frame and Louvered Access Door
 Security Bars
 Extended Sills
 Extended Sleeves
 Filter Racks

*Louver will be manufactured 1/4" smaller than given opening dimensions unless otherwise specified.