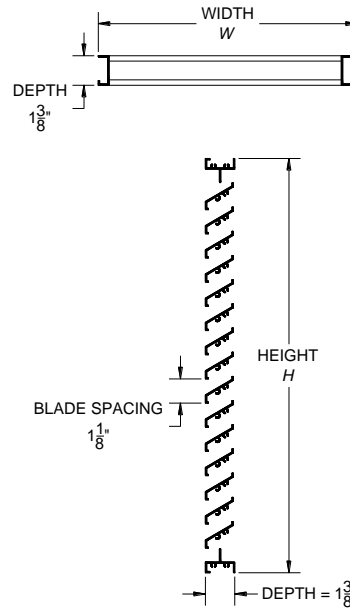
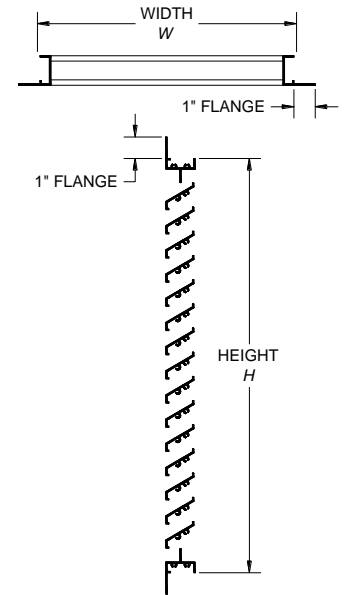


MODEL: 2110
FRAME: CHANNEL FRAME
DUCT-MOUNT (DM)



MODEL: 2115
FRAME: FLANGE FRAME
FLANGE-MOUNT (FM)



PERFORMANCE			
LOUVER UNIT SIZE	TOTAL AREA	FREE AREA	FREE AREA
48" x 48"	16 ft ²	7.70 ft ²	48.1%
(1219 x 1219 mm)	(1.49 m ²)	(0.72 m ²)	

STANDARD CONSTRUCTION	
DEPTH:	1.375" (35 mm)
MATERIAL:	EXTRUDED ALUMINUM, 6063-T5 ALLOY
FRAME THICKNESS:	0.063" (1.60 mm)
BLADE THICKNESS:	0.063" (1.60 mm)
BLADE ANGLE:	30°
BLADE CENTRES:	1.125" (29 mm)
BIRDSCREEN:	19 GA. GALVANIZED BIRDSCREEN, 1/2" x 1/2" OPENINGS
FINISH:	MILL

SIZE LIMITATIONS: SINGLE SECTION LOUVER		
	MINIMUM	MAXIMUM
WIDTH	8" (203 mm)	60" (1524 mm)
HEIGHT	8" (203 mm)	60" (1524 mm)
AREA	0.44 ft ² (0.04 m ²)	25 ft ² (2.32 m ²)

*LOUVER WILL BE MANUFACTURED 1/4" (6 mm) SMALLER (SINGLE SECTION) AND 1/2" (13 mm) SMALLER (MULTIPLE SECTION) THAN GIVEN OPENING DIMENSIONS UNLESS OTHERWISE SPECIFIED

OPTIONS / ACCESSORIES		
FINISH: <ul style="list-style-type: none"> POWDER COAT FINISH DURANAR FINISH ANODIZED FINISH <ul style="list-style-type: none"> CLEAR ANODIZED LIGHT BRONZE MEDIUM BRONZE DARK BRONZE BLACK ANODIZED EXTENDED SILLS SECURITY BARS FILTER RACKS STAINLESS STEEL FASTENERS HINGED ACCESS DOORS CUSTOM GEOMETRIC SHAPES CONTINUOUS LINE CONSTRUCTION IS <u>NOT</u> AVAILABLE 	SCREENS: <ul style="list-style-type: none"> BIRDSCREEN <ul style="list-style-type: none"> 1/2" x 1/2" INTER CRIMPED ALUMINUM ALUMINUM BIRDSCREEN WITH FRAME INSECT SCREEN <ul style="list-style-type: none"> 18 x 14 MESH 	BLANK-OFF PANELS: ALUMINUM, VARIOUS GAUGES <ul style="list-style-type: none"> NON-INSULATED BLANK-OFF PANELS INSULATED BLANK-OFF PANELS <ul style="list-style-type: none"> 1" (25 mm) INSULATION 2" (51 mm) INSULATION

FREE AREA (Sq. Ft.)

		WIDTH (INCHES)													
		8	12	16	20	24	28	32	36	40	44	48	52	56	60
HEIGHT (INCHES)	8	0.15	0.23	0.31	0.40	0.48	0.56	0.65	0.73	0.81	0.90	0.98	1.06	1.15	1.23
	12	0.24	0.38	0.52	0.66	0.80	0.94	1.08	1.22	1.36	1.50	1.64	1.78	1.92	2.06
	16	0.34	0.54	0.73	0.93	1.12	1.32	1.51	1.71	1.91	2.10	2.30	2.49	2.69	2.88
	20	0.45	0.70	0.96	1.21	1.47	1.72	1.98	2.23	2.49	2.74	3.00	3.25	3.51	3.76
	24	0.54	0.86	1.17	1.48	1.79	2.10	2.41	2.72	3.03	3.35	3.66	3.97	4.28	4.59
	28	0.65	1.02	1.39	1.77	2.14	2.51	2.88	3.25	3.63	4.00	4.37	4.74	5.11	5.48
	32	0.75	1.17	1.60	2.03	2.45	2.88	3.31	3.74	4.16	4.59	5.02	5.44	5.87	6.30
	36	0.85	1.34	1.83	2.32	2.80	3.29	3.78	4.27	4.75	5.24	5.73	6.22	6.70	7.19
	40	0.95	1.49	2.04	2.58	3.12	3.66	4.21	4.75	5.29	5.83	6.38	6.92	7.46	8.01
	44	1.06	1.66	2.26	2.87	3.47	4.07	4.68	5.28	5.88	6.49	7.09	7.69	8.30	8.90
	48	1.15	1.80	2.46	3.11	3.77	4.42	5.08	5.73	6.39	7.04	7.70	8.35	9.01	9.66
	52	1.24	1.96	2.67	3.38	4.09	4.80	5.51	6.22	6.93	7.64	8.35	9.06	9.78	10.49
56	1.35	2.12	2.89	3.66	4.43	5.20	5.97	6.74	7.52	8.29	9.06	9.83	10.60	11.37	
60	1.45	2.27	3.10	3.93	4.75	5.58	6.41	7.23	8.06	8.89	9.71	10.54	11.37	12.19	

FREE AREA (%)

		WIDTH (INCHES)													
		8	12	16	20	24	28	32	36	40	44	48	52	56	60
HEIGHT (INCHES)	8	32.8%	34.4%	35.2%	35.6%	36.0%	36.2%	36.4%	36.5%	36.6%	36.7%	36.7%	36.8%	36.9%	36.9%
	12	36.6%	38.4%	39.2%	39.7%	40.1%	40.3%	40.5%	40.7%	40.8%	40.9%	41.0%	41.0%	41.1%	41.1%
	16	38.5%	40.3%	41.2%	41.8%	42.1%	42.4%	42.6%	42.7%	42.9%	43.0%	43.0%	43.1%	43.2%	43.2%
	20	40.2%	42.1%	43.1%	43.6%	44.0%	44.3%	44.5%	44.7%	44.8%	44.9%	45.0%	45.1%	45.1%	45.2%
	24	40.8%	42.8%	43.8%	44.3%	44.7%	45.0%	45.2%	45.4%	45.5%	45.6%	45.7%	45.8%	45.8%	45.9%
	28	41.8%	43.8%	44.8%	45.4%	45.8%	46.1%	46.3%	46.5%	46.6%	46.7%	46.8%	46.9%	46.9%	47.0%
	32	42.0%	44.0%	45.0%	45.6%	46.0%	46.3%	46.5%	46.7%	46.8%	46.9%	47.0%	47.1%	47.2%	47.2%
	36	42.7%	44.7%	45.7%	46.3%	46.7%	47.0%	47.2%	47.4%	47.5%	47.7%	47.7%	47.8%	47.9%	47.9%
	40	42.7%	44.8%	45.8%	46.4%	46.8%	47.1%	47.3%	47.5%	47.6%	47.7%	47.8%	47.9%	48.0%	48.0%
	44	43.2%	45.3%	46.3%	46.9%	47.3%	47.6%	47.8%	48.0%	48.1%	48.2%	48.3%	48.4%	48.5%	48.5%
	48	43.0%	45.0%	46.1%	46.7%	47.1%	47.4%	47.6%	47.8%	47.9%	48.0%	48.1%	48.2%	48.2%	48.3%
	52	43.1%	45.1%	46.1%	46.8%	47.2%	47.5%	47.7%	47.9%	48.0%	48.1%	48.2%	48.3%	48.3%	48.4%
56	43.4%	45.4%	46.5%	47.1%	47.5%	47.8%	48.0%	48.2%	48.3%	48.4%	48.4%	48.5%	48.6%	48.7%	
60	43.4%	45.5%	46.5%	47.1%	47.5%	47.8%	48.1%	48.2%	48.4%	48.5%	48.6%	48.7%	48.7%	48.8%	

RECOMMENDED SPECIFICATION

Furnish and install stationary louver model 2110 / 2115 as manufactured by Ventex Inc., Alliston, Ontario. Louvers shall be 1.375" (35 mm) deep. Blades shall be 0.063" (1.60 mm) extruded aluminum 6063-T5 alloy and frame shall be 0.063" (1.60 mm) extruded aluminum 6063-T5 alloy. Louvers shall have 19 gauge galvanized 1/2" x 1/2" bird screen. All materials shall be factory finished after assembly with polyester powder coat in a colour selected from the Ventex Colour Chart.