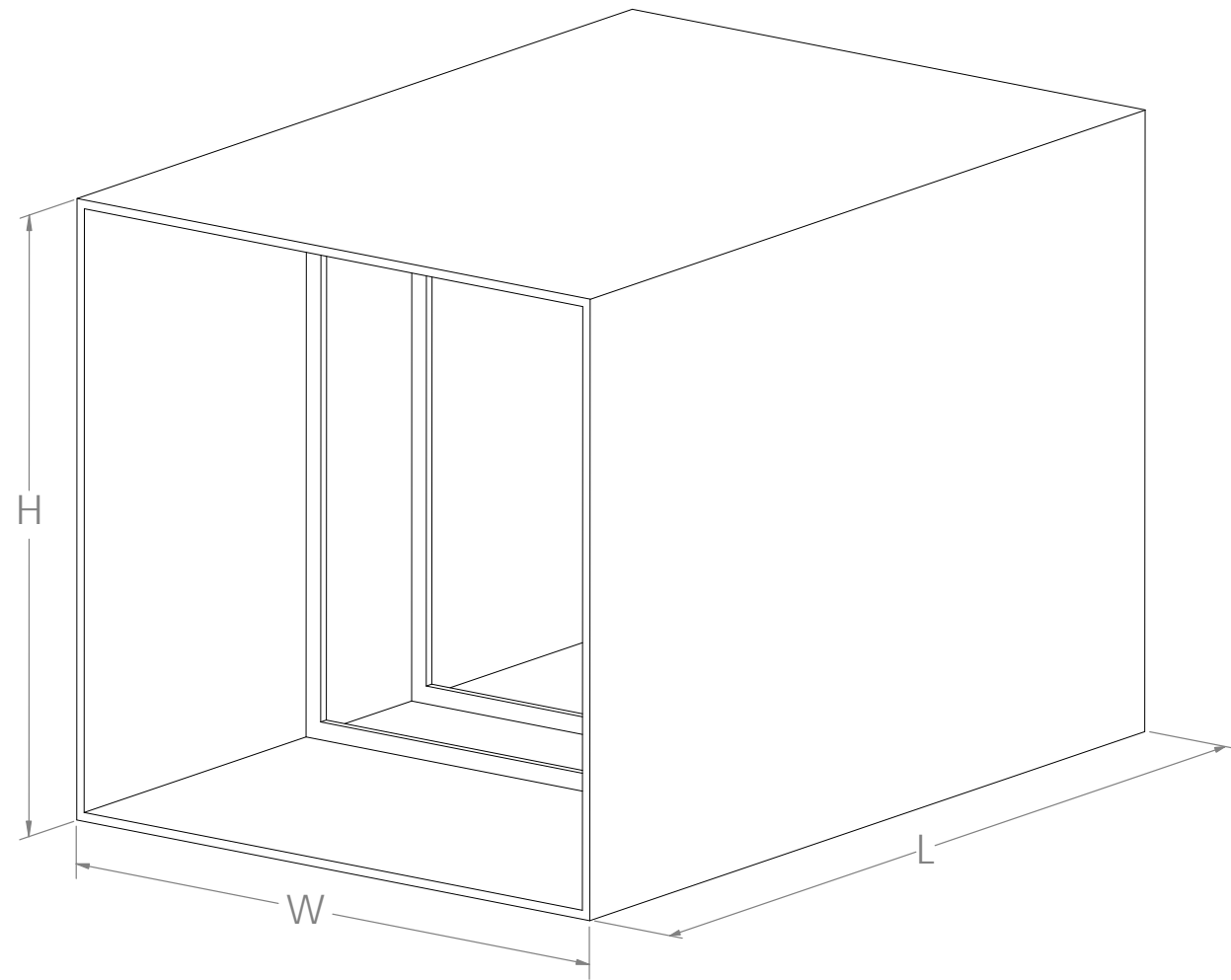
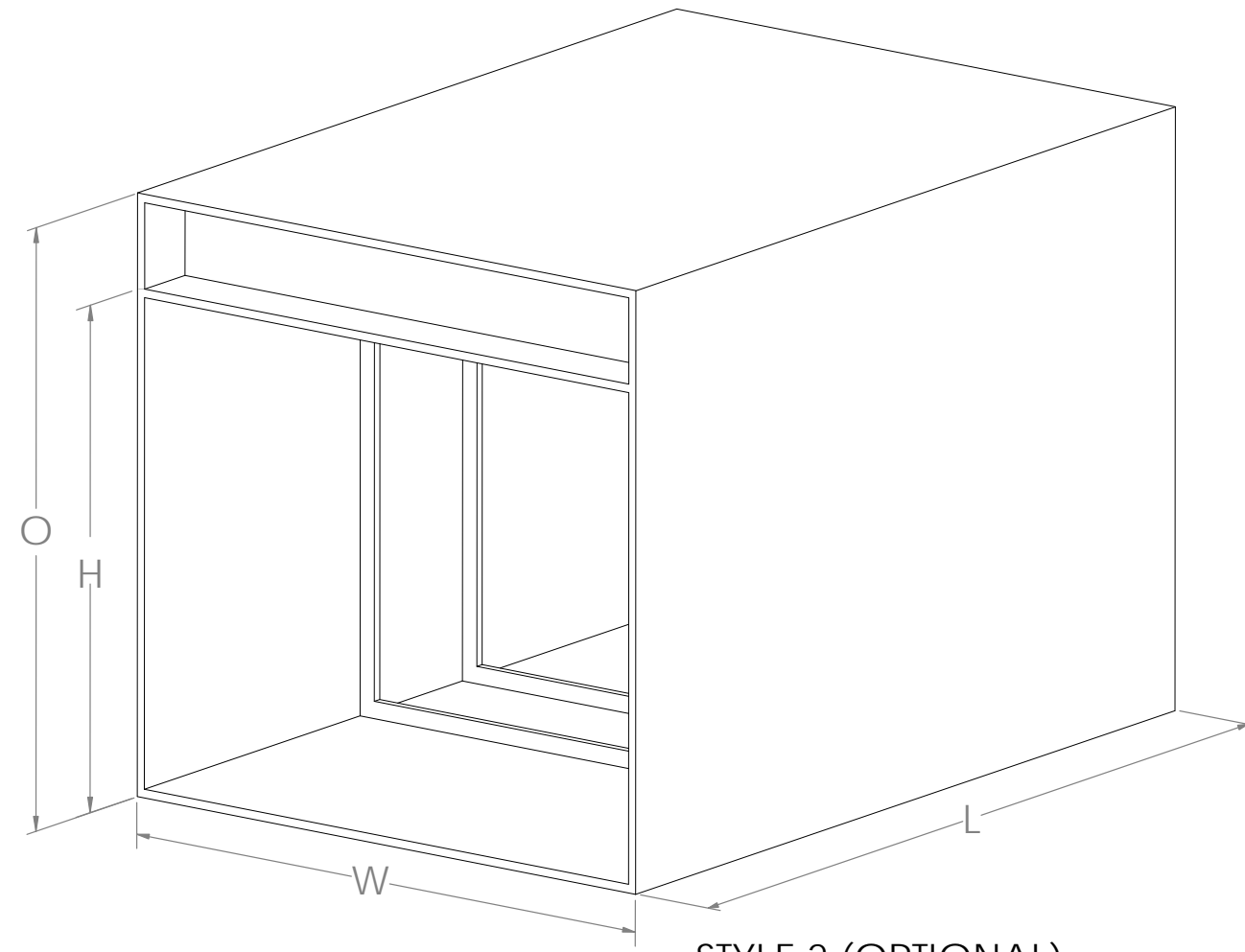


ALUMAVENT FIRE DAMPER SLEEVE STYLES

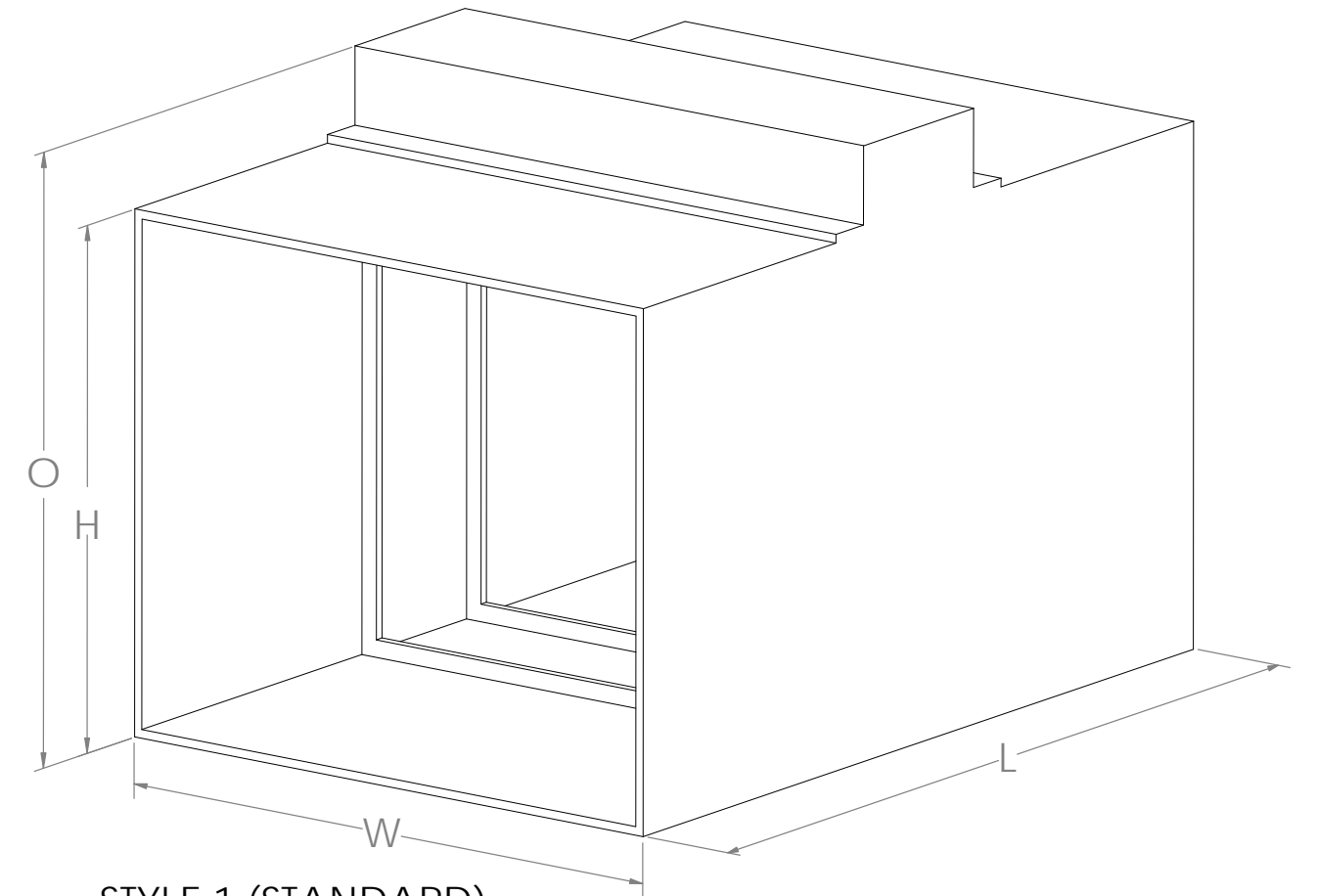


TYPE "A"
BLADES AND FRAME IN AIRSTREAM

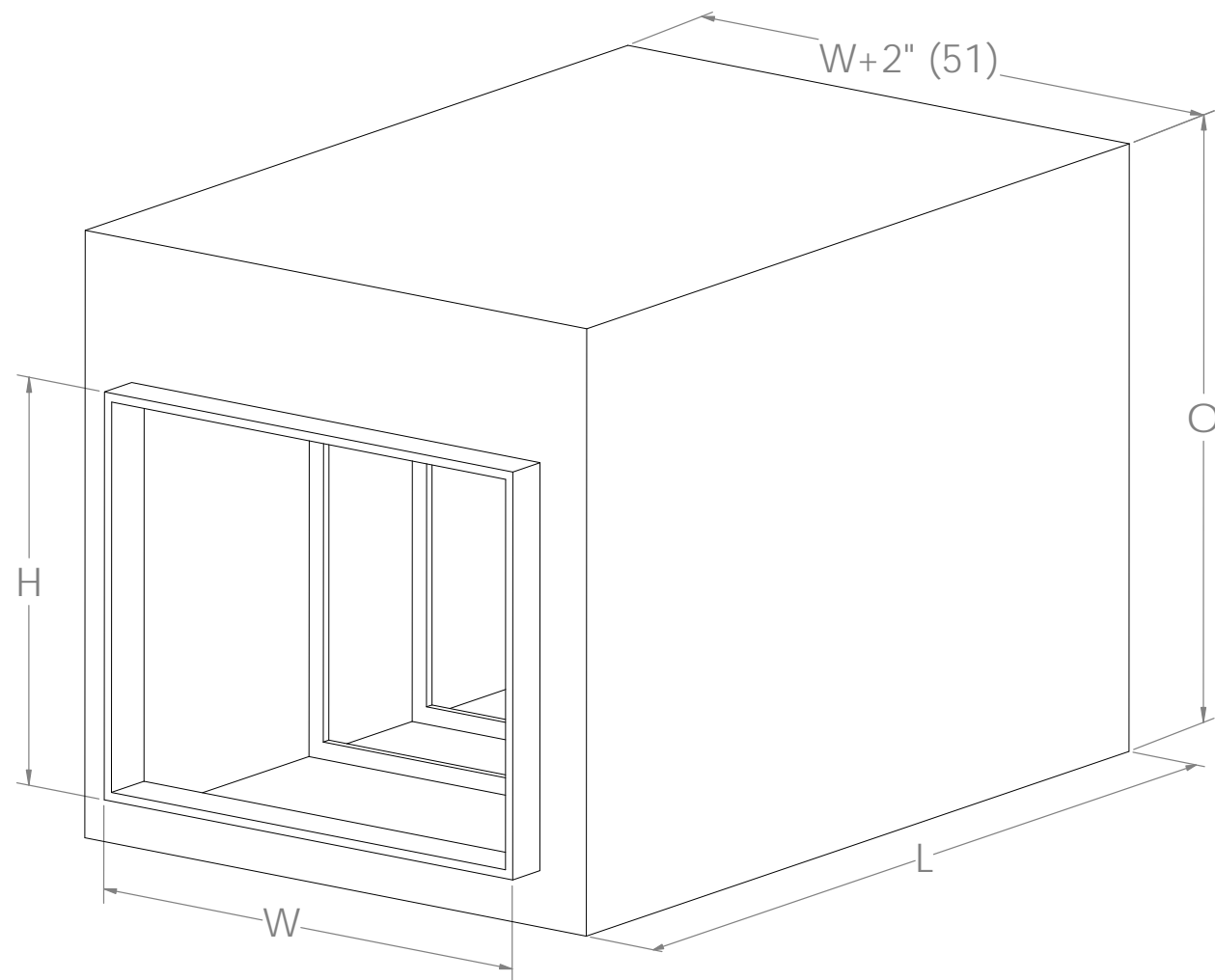


STYLE 2 (OPTIONAL)

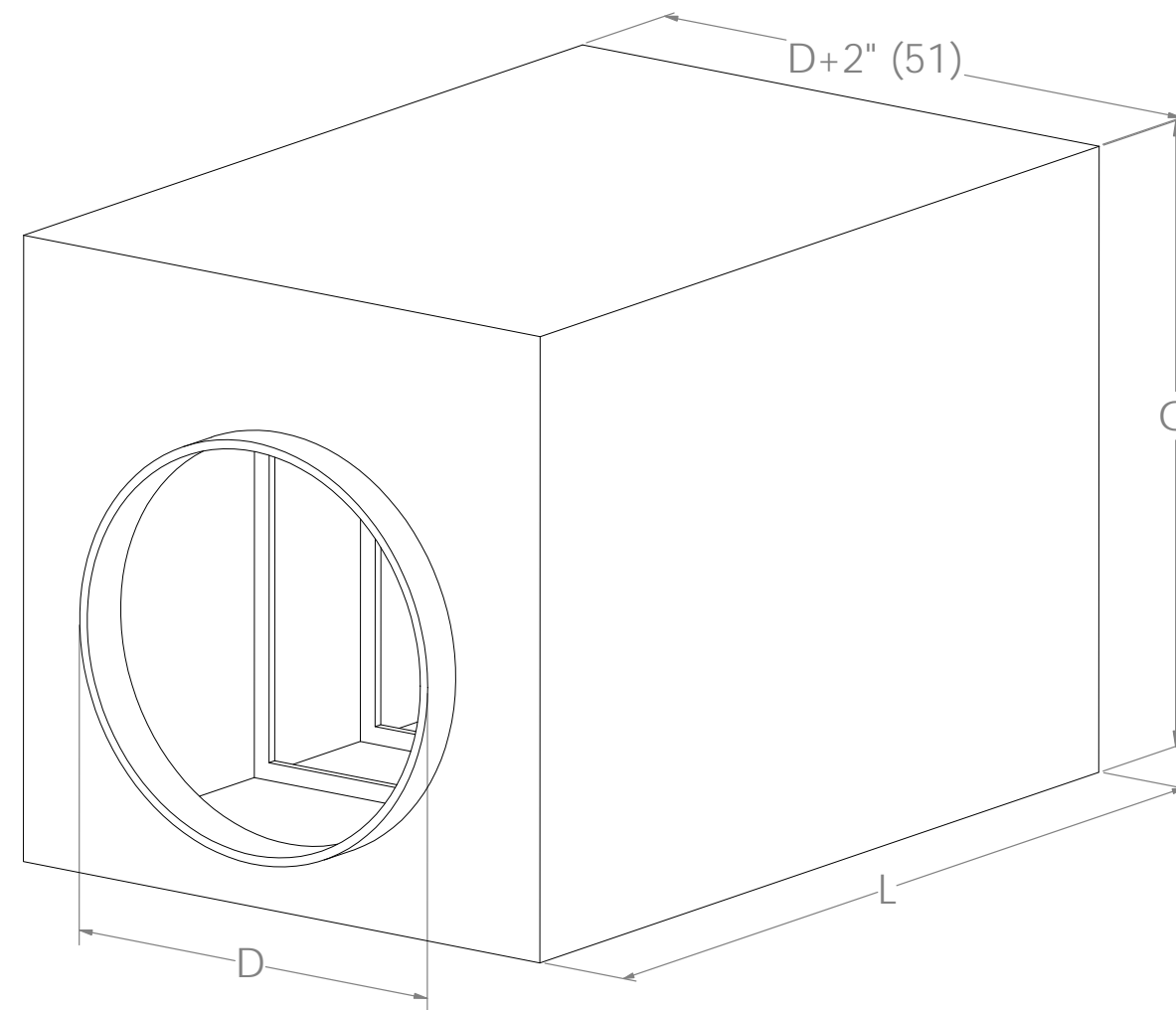
TYPE "B" BLADES OUT OF AIRSTREAM



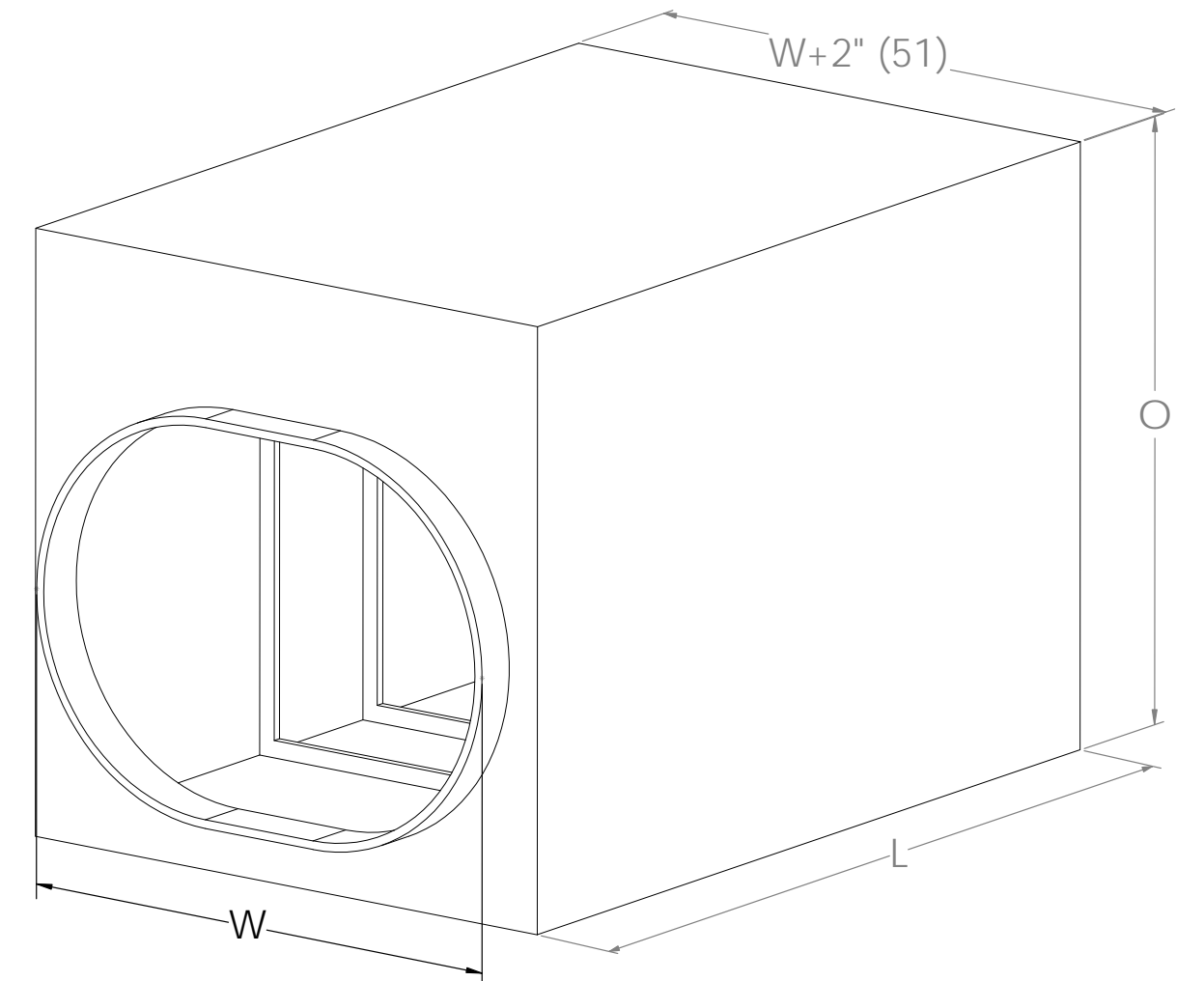
STYLE 1 (STANDARD)



TYPE "C"
RECTANGULAR TRANSITION COLLARS/DUCT
100% FREE AREA



TYPE "CR"
ROUND TRANSITION COLLARS/DUCT
100% FREE AREA



TYPE "CO"
FLAT OVAL TRANSITION COLLARS/DUCT
100% FREE AREA