

- UL 555 & CAN/ULC-S112 Classified Dynamic Fire Damper, 3 Hr. Label (File # R25565).
- NFPA 80, 90A & 101 compliant.
- NBC and IBC building codes compliant.

**STANDARD CONSTRUCTION**

**DEPTH:** 4 ¼" (108).

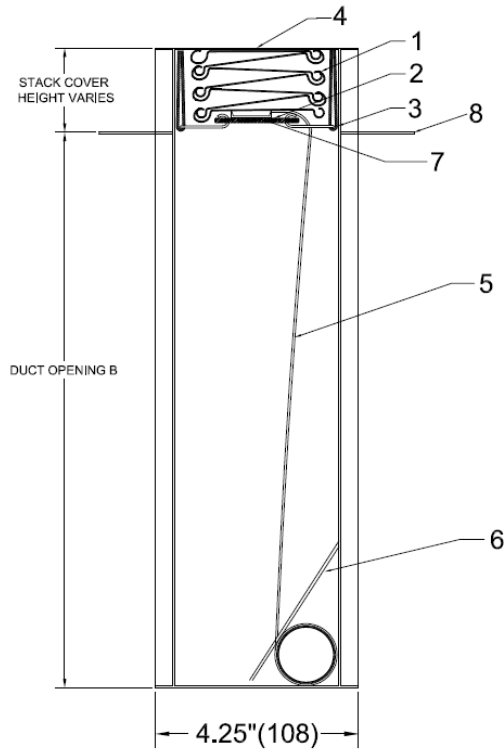
**FRAME:** Roll formed 20 Ga. galvanized steel with hemmed edge.

**BLADE:** Roll formed 22 Ga. galvanized steel. Interlocking curtain type blades.

**FUSIBLE LINK:** 165°F (74 C).

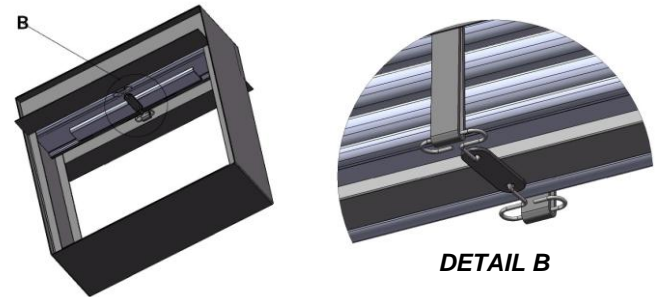
**OPTIONAL CONSTRUCTION**

- Factory supplied Sleeve – 22, 20, 18 or 16 Ga. \*Sleeve length required.
- Access Door factory mounted in a common sleeve.
- 212°F (100 C) Fusible Link [max. size 48" x 44" (1219 x 1118)].
- 1 ½" x 1 ½" Retaining Angles.



MODEL 53BVD  
(VERTICAL MOUNT)

FIRE DAMPER COMPONENTS	
1. Blade	5. Constant Force Spring
2. Fusible Link Assembly	6. Lock Ramp
3. Link Strap	7. Blade Stiffener
4. Frame	8. Blade Stack Cover



**DYNAMIC CLOSURE RATINGS:**

- 2000 fpm (10.2 m/s) on all sizes.
- 5000 fpm (25.4 m/s) up to 24" x 20" (610 x 508) duct size.
- 4" w.g. (1kPa) maximum pressure on all sizes.

**MAINTENANCE RECOMMENDATIONS:**

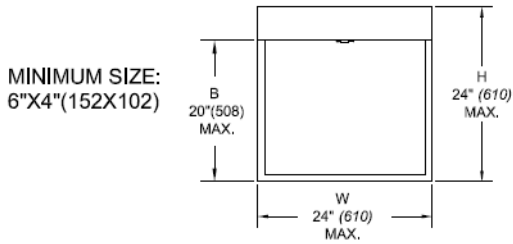
NFPA 80 advises that fire dampers be inspected and tested 1 year after installation, then every 4 years minimum. More frequent inspections may be required due to system use and air conditions, or applicable local codes.

**NOTES:**

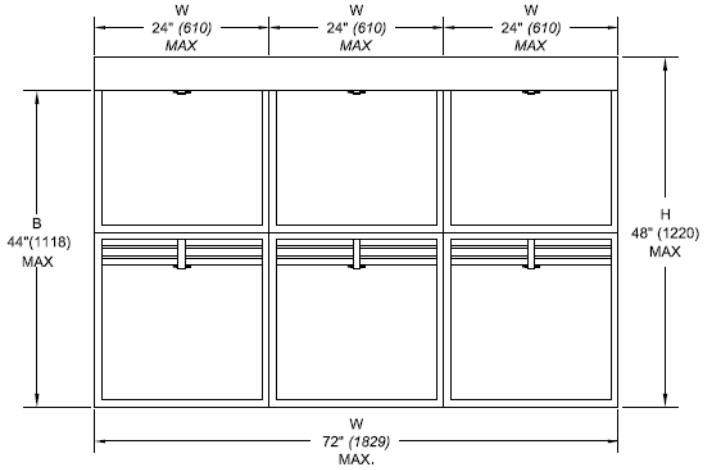
Dampers are furnished approximately ¼" (6) smaller than the given duct dimensions. These dynamic dampers are UL/ULC approved for use in HVAC systems where the fans remain on in the event of fire. 3 hr. labeled fire dampers are suitable for use in fire separations with a fire resistance rating of 4 hours or less. **Fire dampers must be installed in accordance with manufacturer's instructions. Refer to Alumavent installation instructions for details.**

Dimensions are shown in inches (mm).

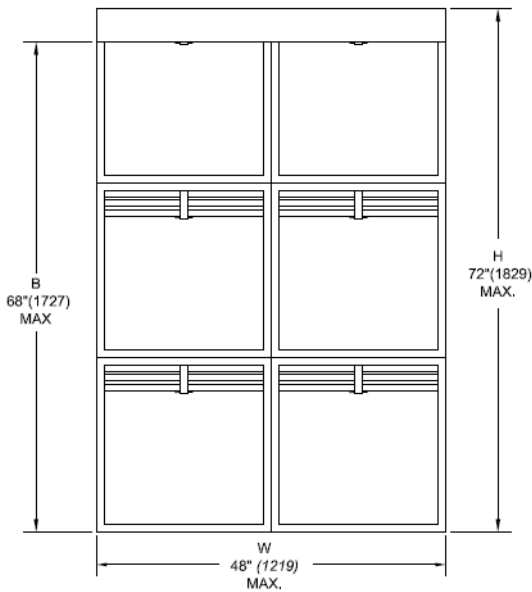
**SINGLE SECTION DAMPER**  
 -VERTICAL MOUNT ONLY



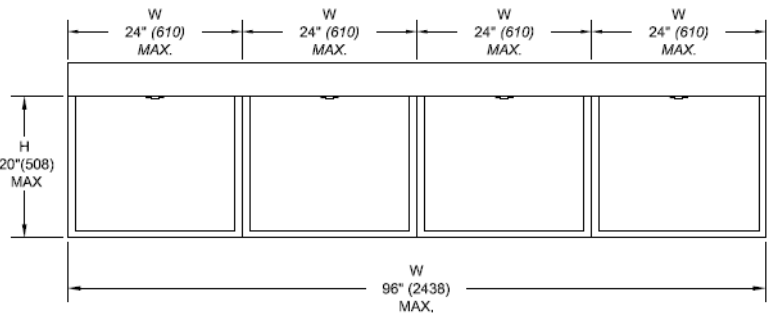
**MULTIPLE SECTION DAMPER**  
 -VERTICAL MOUNT ONLY



**MULTIPLE SECTION DAMPER**  
 -VERTICAL MOUNT ONLY



**MULTIPLE SECTION DAMPER**  
 -VERTICAL MOUNT ONLY



NOTE: SEE 3 HOUR DYNAMIC TYPE B SIZING CHART SC53BD FOR OVERALL DAMPER DIMENSIONS.

REF. #	QTY.	DUCT WIDTH (W)	DUCT HEIGHT (H)	MOUNT (V only)	ACCESSORIES
				V	
				V	
				V	
				V	
				V	
				V	

\*DAMPER WILL BE MANUFACTURED APPROXIMATELY 1/4" (6) SMALLER THAN GIVEN DUCT DIMENSIONS.

<b>PROJECT NAME:</b>		<b>ENGINEER:</b>	
<b>CONTRACTOR:</b>		<b>SUBMITTAL DATE:</b>	